

TUNTURI®

R50 Rower

User manual

Benutzerhandbuch

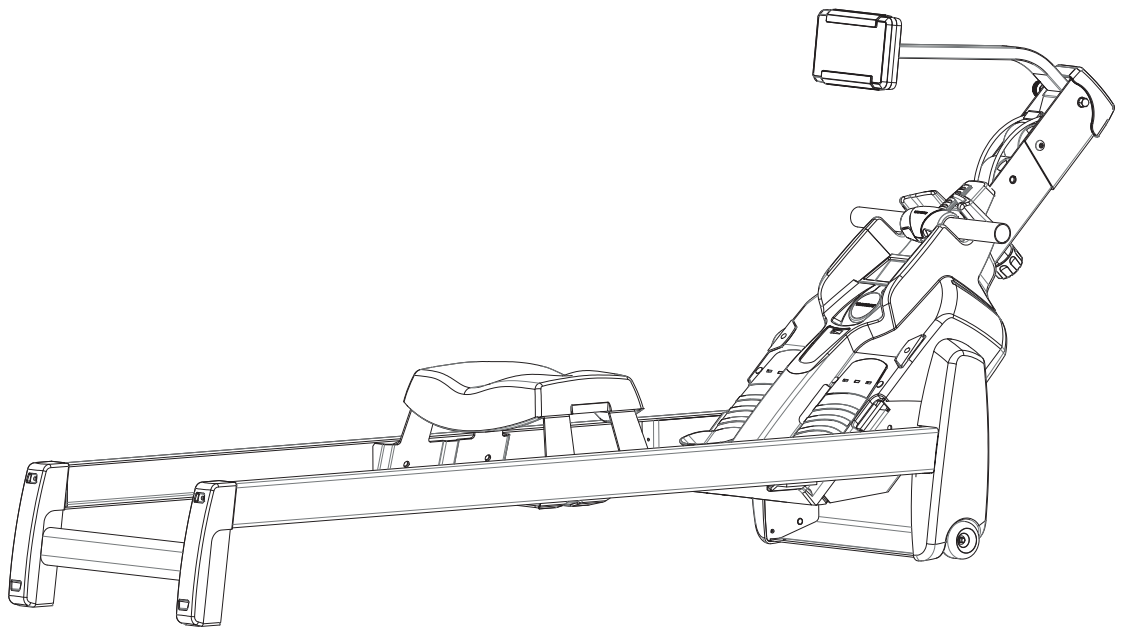
Manuel de l'utilisateur

Gebruikershandleiding

Manual del usuario

Bruksanvisning

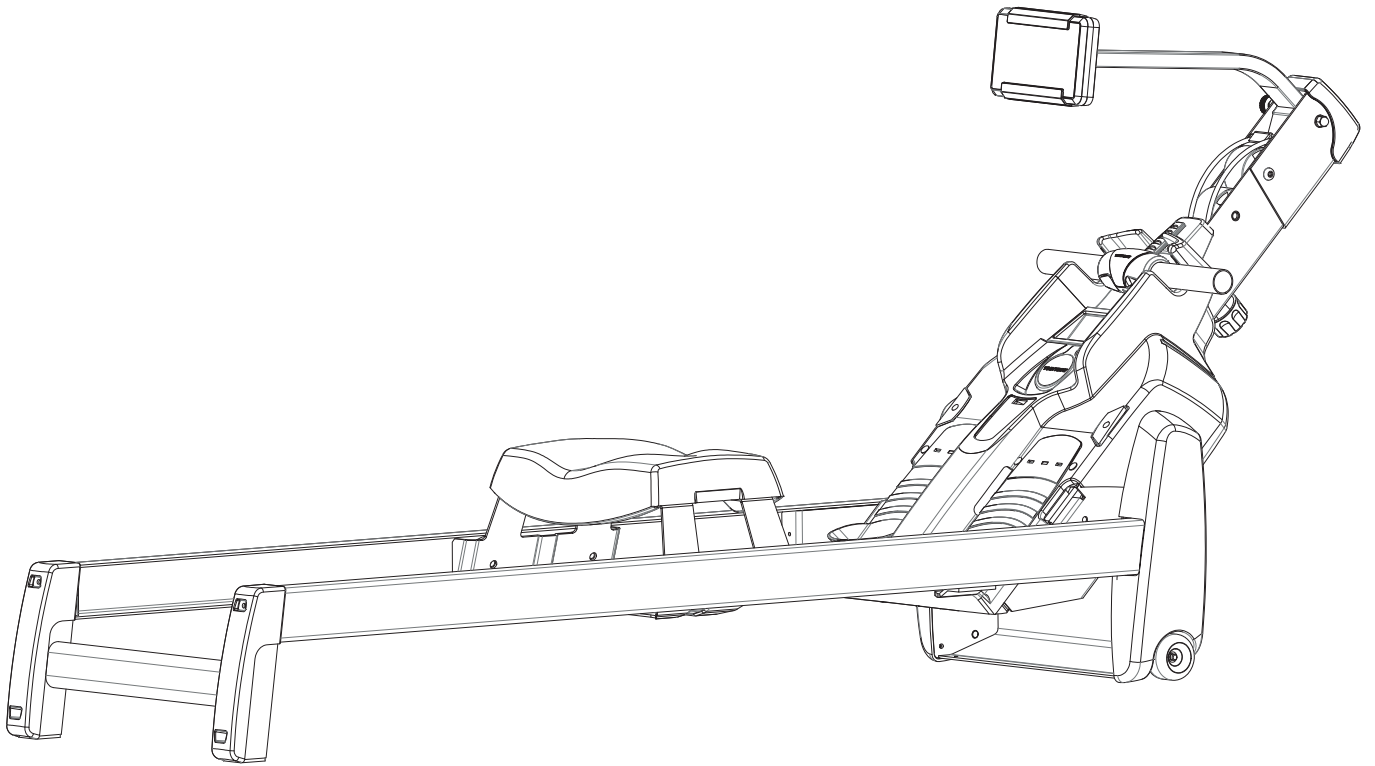
Käyttöohje



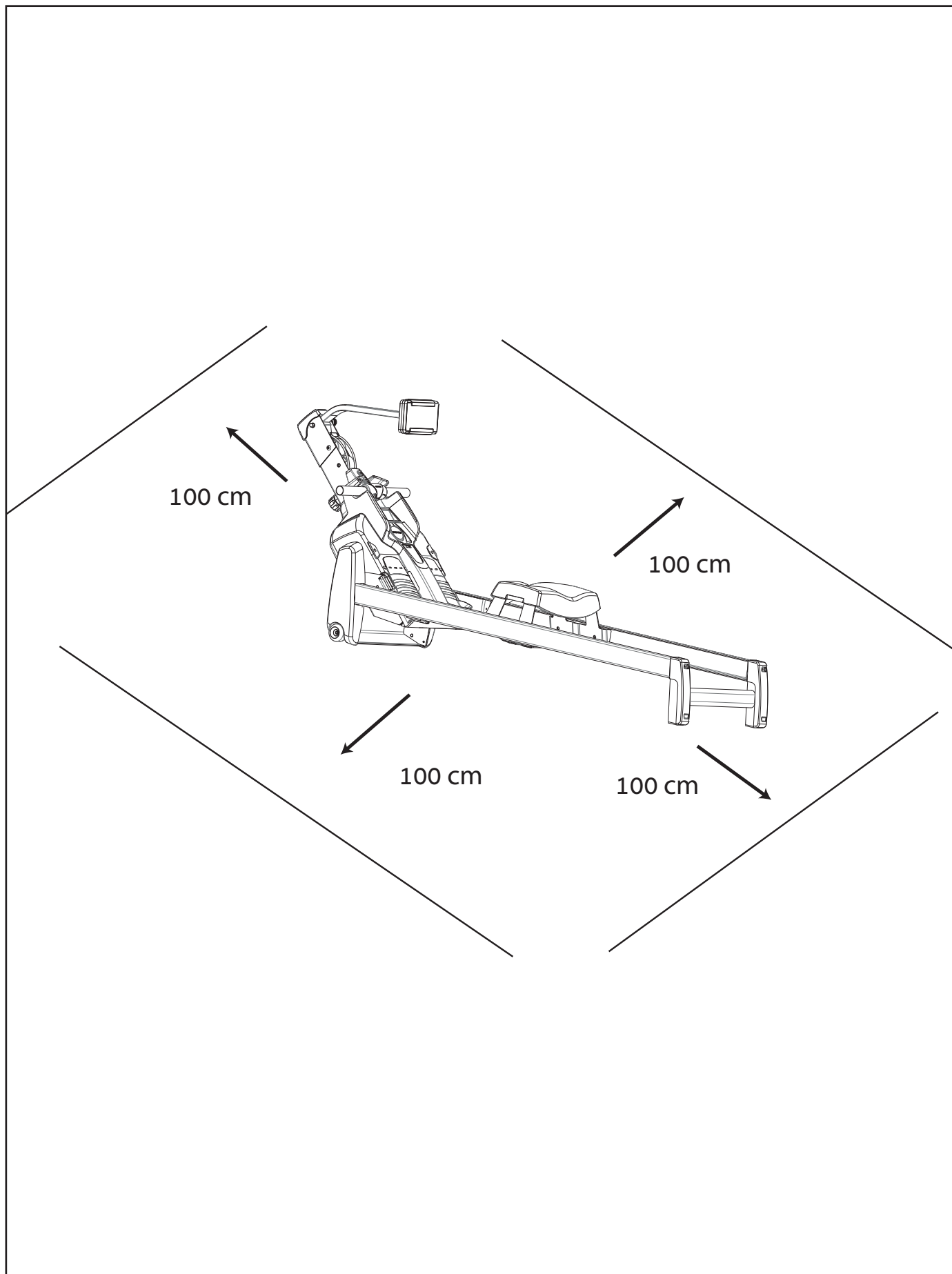
Attention, Achtung, Attention, Attentie, Atención, Giv akt, Huomio

- Please read this Owner's manual before assembling this product.
- Bitte lesen Sie dieses Handbuch durch, bevor Sie mit er Montage dieses Produkts beginnen.
- Veuillez lire ce manuel avant de commencer le montage de ce produit.
- Leest u deze handleiding voordat u dit apparaat installeert.
- Lea este manual antes de montar este producto
- Läs bruksanvisningen innan du monterar denna produkt
- Lue tämä käsikirja ennen kokoamista tuotetta

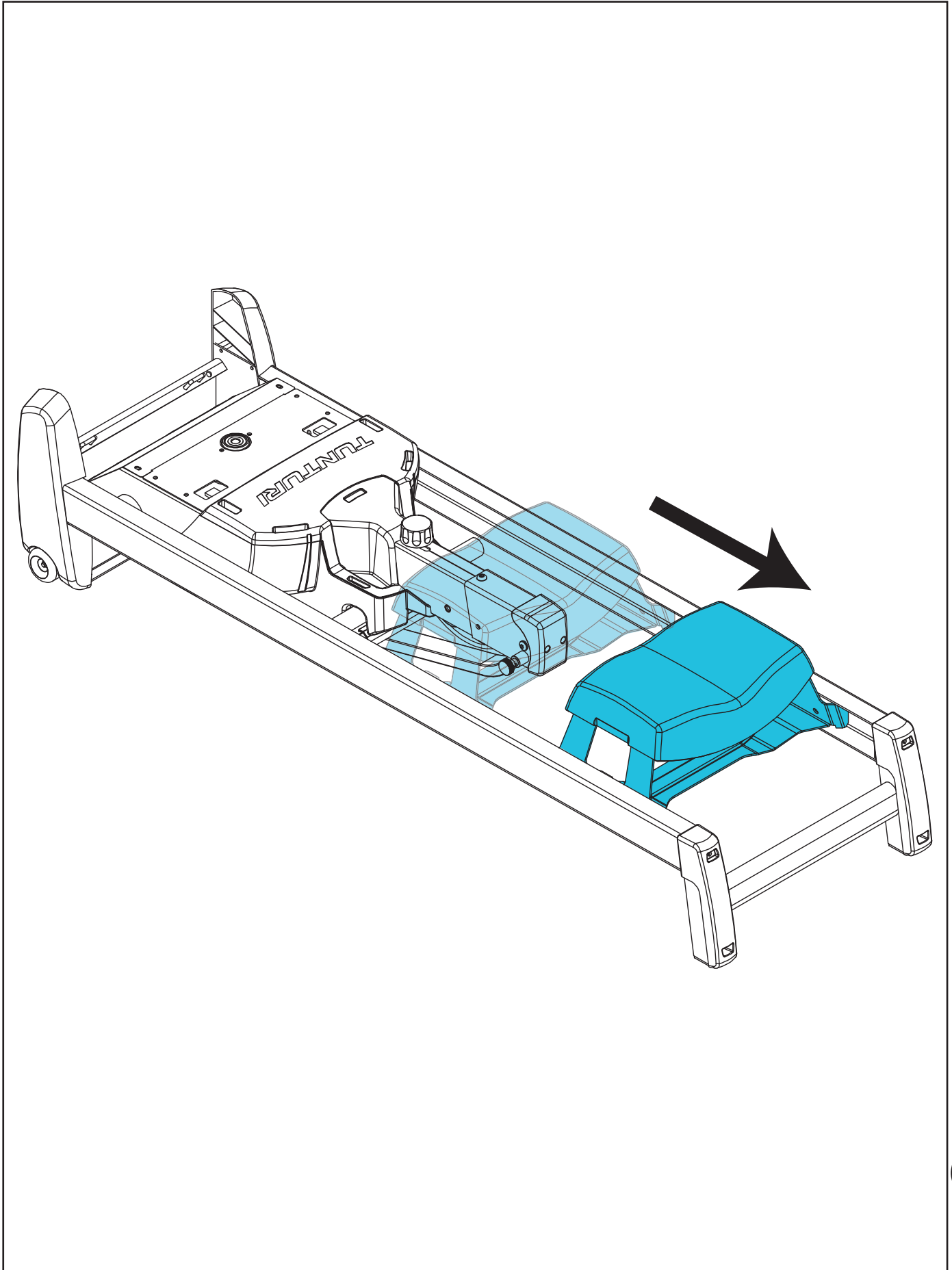
A



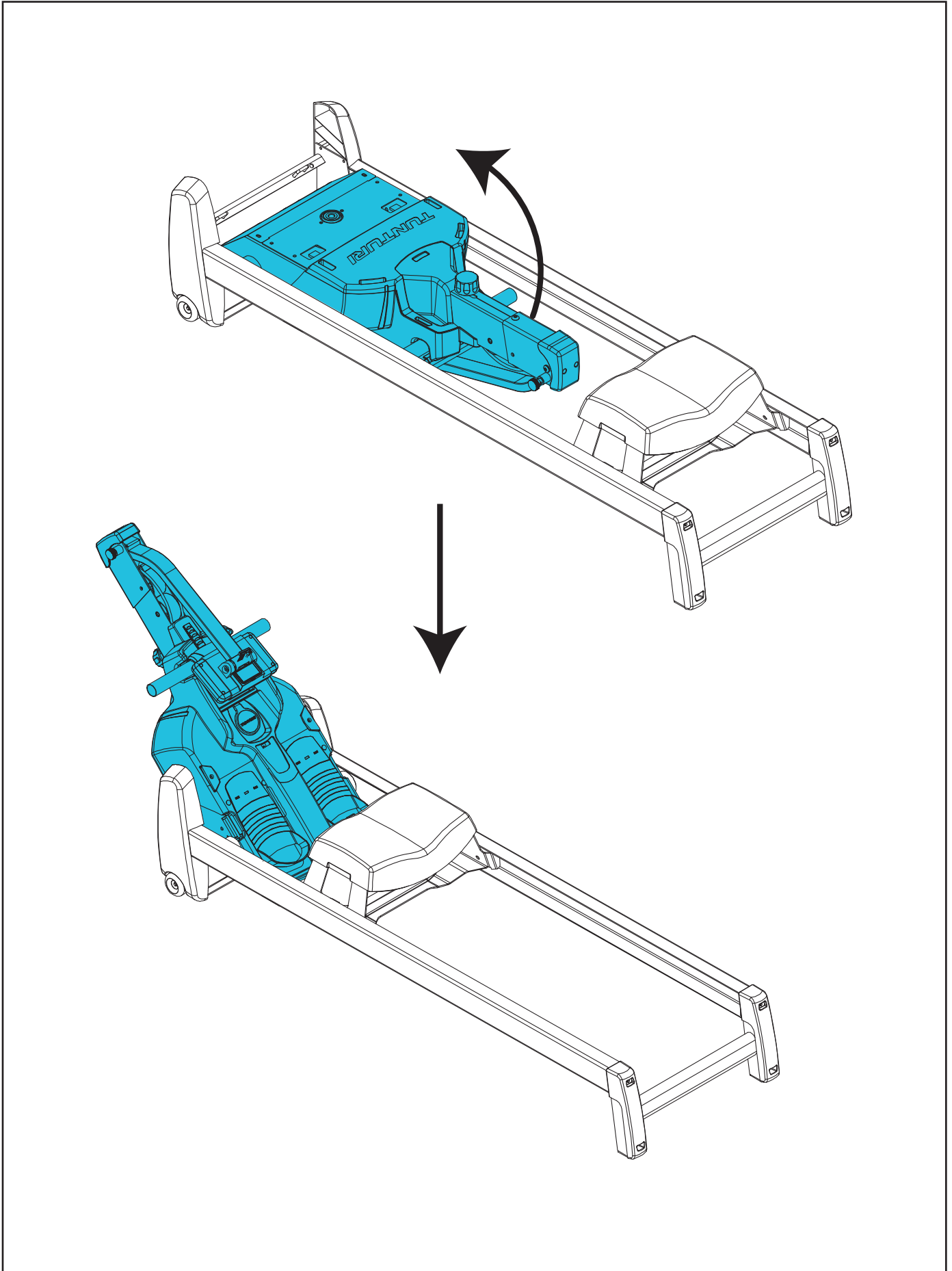
B-0



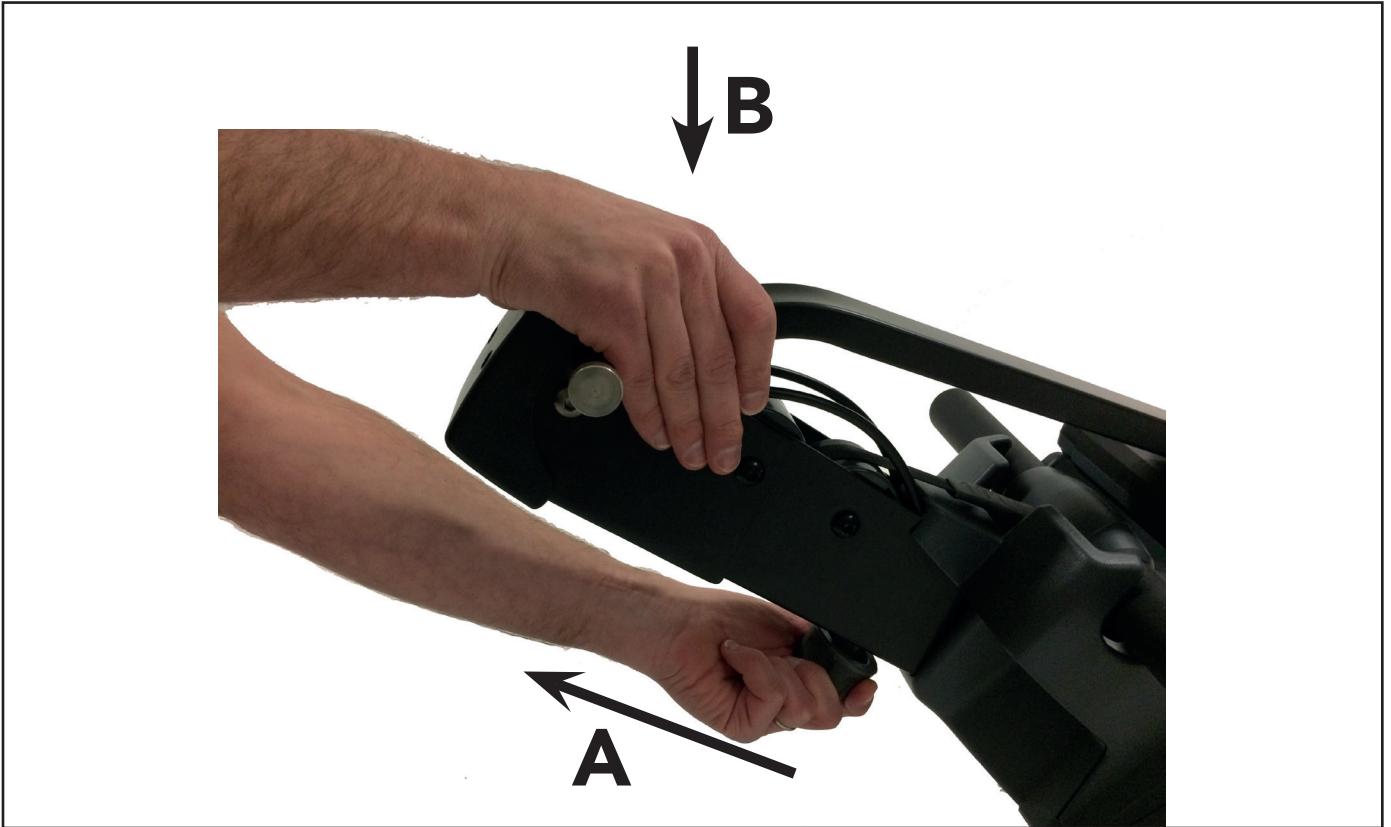
B-1



B-2



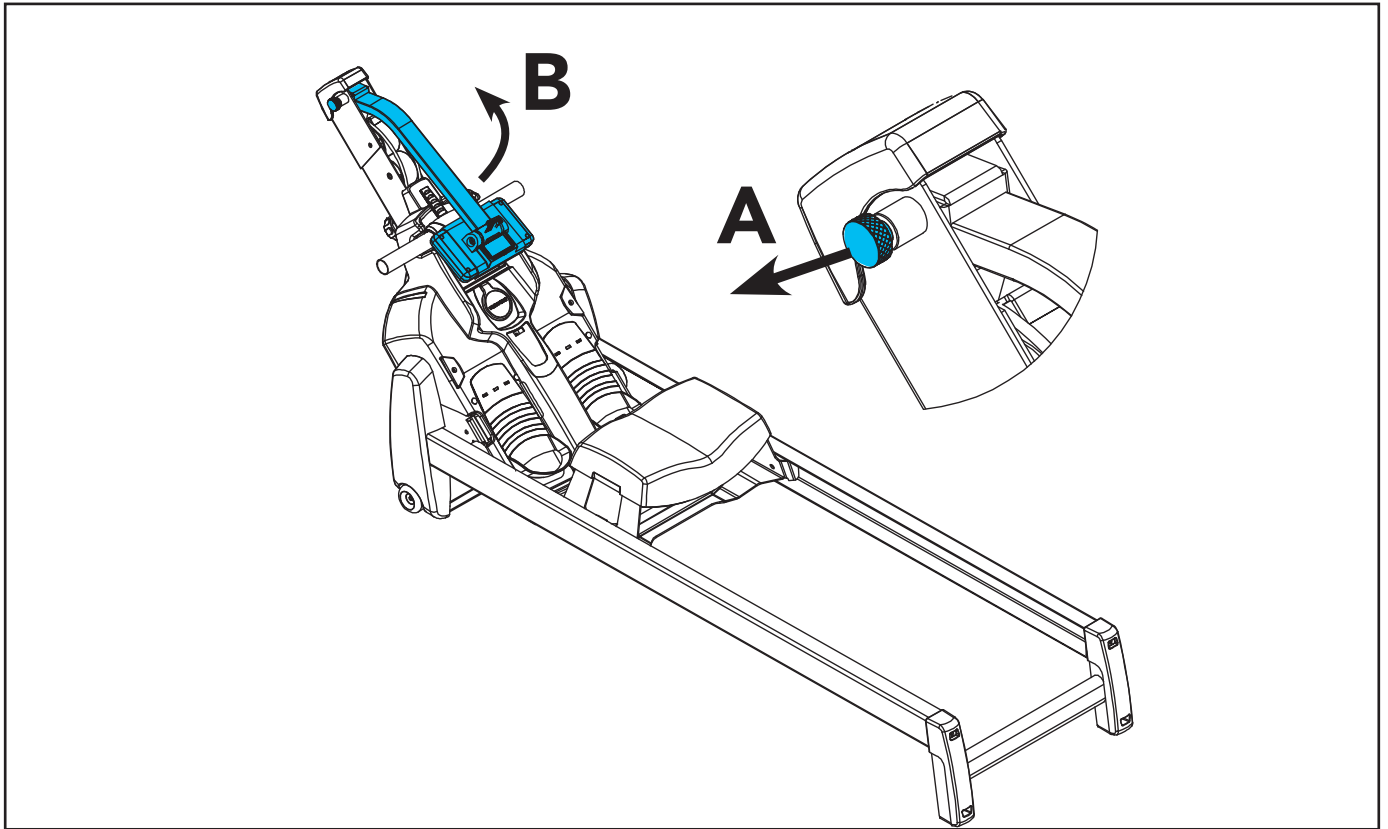
B-3A



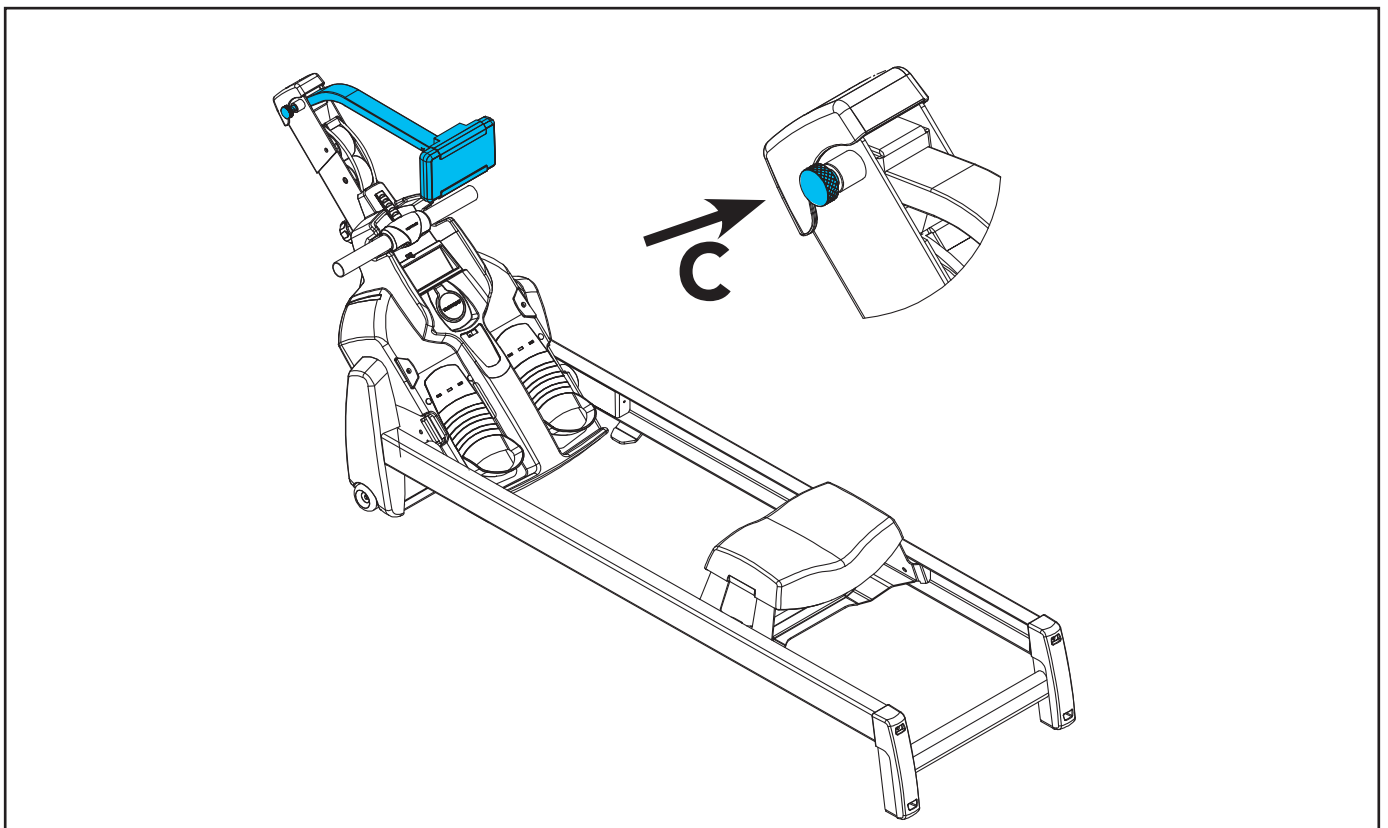
B-3B



B-4A



B-4B



C



D-1



D-2



Index

Rower	11
Safety warnings	11
Description	12
Assembly (fig. B)	12
Power supply (fig. C)	12
Workouts	12
Exercise Instructions	12
Heart rate measurement (heart rate chest belt)	13
How to row	14
Use	14
Console (fig. D-1)	14
Explanation of buttons	14
Explanation Display functions	15
Programs	15
Target HR	15
Exercise profiles	16
Recovery	16
Cleaning and maintenance	16
Defects and malfunctions	16
Transport and storage	16
Additional information	17
Technical data	17
Warranty	17
Declaration of the manufacturer	18
Disclaimer	18

Rower

Welcome to the world of Tunturi!
Thank you for purchasing this piece of Tunturi equipment. Tunturi offers a wide range of home fitness equipment, including crosstrainers, treadmills, exercise bikes and rowers. The Tunturi equipment is suitable for the entire family, no matter what fitness level. For more information, please visit our website www.tunturi.com

Safety warnings



WARNING

Read the safety warnings and the instructions. Failure to follow the safety warnings and the instructions can cause personal injury or damage to the equipment. Keep the safety warnings and the instructions for future reference.

- The equipment is suitable for domestic use only. The equipment is not suitable for commercial use.
- Max. usage is limited to 5 hrs a day.
- The use of this equipment by children or persons with a physical, sensory, mental or motorial disability, or lack of experience and knowledge can give cause to hazards. Persons responsible for their safety must give explicit instructions or supervise the use of the equipment.
- Before starting your workout, consult a physician to check your health.
- If you experience nausea, dizziness or other abnormal symptoms, immediately stop your workout and consult a physician.
- To avoid muscular pain and strain, start each workout by warming up and finish each workout by cooling down. Remember to stretch at the end of the workout.
- The equipment is suitable for indoor use only. The equipment is not suitable for outdoor use.
- Only use the equipment in environments with adequate ventilation. Do not use the equipment in draughty environments in order not to catch a cold.
- Only use the equipment in environments with ambient temperatures between 10 °C and 35 °C. Only store the equipment in environments with ambient temperatures between 5 °C and 45 °C.
- Do not use or store the equipment in humid surroundings. The air humidity must never be more than 80%.
- Only use the equipment for its intended purpose. Do not use the equipment for other purposes than described in the manual.
- Do not use the equipment if any part is damaged or defective. If a part is damaged or defective, contact your dealer.
- Keep your hands, feet and other body parts away from the moving parts.
- Keep your hair away from the moving parts.
- Wear appropriate clothing and shoes.
- Keep clothing, jewellery and other objects away from the moving parts.
- Make sure that only one person uses the equipment at a time. The equipment must not be used by persons weighing more than 135 kg (300 lbs).
- Do not open equipment without consulting your dealer.

Description

Your rower is a piece of stationary fitness equipment used to simulate rowing without causing excessive pressure to the joints.

Assembly (fig. B)



WARNING

- If a part is missing, contact your dealer.
- Carry and move the equipment with at least two persons.



CAUTION

- Place the equipment on a firm, level surface.
 - Place the equipment on a protective base to prevent damage to the floor surface.
 - Allow at least 100 cm of clearance around the equipment.
- The rowing machine is shipped in the locked storage position.
 - Push the front tube folded on the frame up and forward.
 - Pull the locking pin up and press the front frame downward simultaneously by the pulley wheel cover.
 - Release the locking pin and ensure that the front frame is in locked forward position.
 - Always tighten the locking pin before you begin to exercise.

Adjust the console so that it is in an appropriate angle for exercise.

Power supply (fig. C)

The trainer is powered by an external power supply.



NOTE

- Connect the power supply with the trainer before connecting it to the wall outlet.
- Always remove power cord when machine is not in use.

Workouts

The workout must be suitably light, but of long duration. Aerobic exercise is based on improving the body's maximum oxygen uptake, which in turn improves endurance and fitness. You should perspire, but you should not get out of breath during the

workout.

To reach and maintain a basic fitness level, exercise at least three times a week, 30 minutes at a time. Increase the number of exercise sessions to improve your fitness level. It is worthwhile to combine regular exercise with a healthy diet. A person committed to dieting should exercise daily, at first 30 minutes or less at a time, gradually increasing the daily workout time to one hour. Start your workout at low speed and low resistance to prevent the cardiovascular system from being subjected to excessive strain.

As the fitness level improves, speed and resistance can be increased gradually. The efficiency of your exercise can be measured by monitoring your heart rate and your pulse rate.

Exercise Instructions

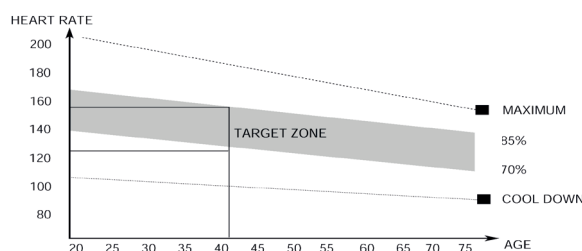
Using your fitness trainer will provide you with several benefits, it will improve your physical fitness, tone muscle and in conjunction with a calorie controlled diet help you lose weight.

The warming up phase

This stage helps get the blood flowing around the body and the muscles working properly. It will also reduce the risk of cramp and muscle injury. It is advisable to do a few stretching exercises as shown below. Each stretch should be held for approximately 30 seconds, do not force or jerk your muscles into a stretch - if it hurts, STOP

The exercise phase

This is the stage where you put the effort in. After regular use, the muscles in your legs will become more flexible. Work to your but it is very important to maintain a steady tempo throughout. The rate of work should be sufficient to raise your heart beat into the target zone shown on the graph below.



This stage should last for a minimum of 12 minutes though most people start at about 15-20 minutes

The cool down phase

This stage is to let your Cardiovascular System and muscles wind down. This is a repeat of the warm up exercise e.g. reduce your tempo, continue for approximately 5 minutes. The stretching exercises should now be repeated, again remembering not to force or jerk your muscles into the stretch.

As you get fitter you may need to train longer and harder. It is advisable to train at least three times a week, and if possible space your workouts evenly throughout the week.

Muscle toning

To tone muscle while on your fitness trainer you will need to have the resistance set quite high. This will put more strain on our leg muscles and may mean you cannot train for as long as you would like. If you are also trying to improve your fitness you need to alter your training program. You should train as normal during the warm up and cool down phases, but towards the end of the exercise phase you should increase resistance making your legs work harder. You will have to reduce your speed to keep your heart rate in the target zone.

Weight loss

The important factor here is the amount of effort you put in. The harder and longer you work the more calories you will burn. Effectively this is the same as if you were training to improve your fitness, the difference is the goal.

Heart rate measurement (heart rate chest belt)

The most accurate heart rate measurement is achieved with a heart rate chest belt. The heart rate is measured by a heart rate receiver in combination with a heart rate transmitter belt. Accurate heart measurement requires that the electrodes on the transmitter belt are slight moist and constantly touching the skin. If the electrodes are too dry or too moist, the heart rate measurement will become less accurate.



WARNING

- If you have a pacemaker, consult a physician before using a heart rate chest belt.



CAUTION

- If there are several heart rate measurement devices next to each other, make sure that the distance between them is at least 1.5 metres.
- If there is only one heart rate receiver and several heart rate transmitters, make sure that only one person with a transmitter is within transmission range.



NOTE

- Always wear the heart rate chest belt under your clothes directly in contact with your skin. Do not wear the heart rate chest belt above your clothes. If you wear the heart rate chest belt above your clothes, there will be no signal.
- If you set a heart rate limit for your workout, an alarm will sound when it is exceeded.

- The transmitter transmits the heart rate to the console up to a distance of 1 metre. If the electrodes are not moist, the heart rate will not appear on the display.
- Some fibers in clothes (e.g. polyester, polyamide) create static electricity which can prevent accurate heart rate measurement.
- Mobile phones, televisions and other electrical appliances create an electromagnetic field which can prevent accurate heart rate measurement.

Maximum heart rate (during training)

The maximum heart rate is the highest heart rate a person can safely achieve through exercise stress. The following formula is used to calculate the average maximum heart rate: $220 - \text{AGE}$. The maximum heart rate varies from person to person.



WARNING

- Make sure that you do not exceed your maximum heart rate during your workout. If you belong to a risk group, consult a physician.

Beginner 50-60% of maximum heart rate

Suitable for beginners, weight-watchers, convalescents and persons who have not exercised for a long time. Exercise at least three times a week, 30 minutes at a time.






Advanced 60-70% of maximum heart rate

Suitable for persons who want to improve and maintain fitness. Exercise at least three times a week, 30 minutes at a time.

Expert 70-80% of maximum heart rate

Suitable for the fittest of persons who are used to long-endurance workouts.

How to row

	<p>Catch</p> <p>Comfortably forward with straight back and arms.</p>
	<p>Drive</p> <p>Push with the legs while arms remain straight.</p>
	<p>Finish</p> <p>Pull through with arms and legs rocking slightly back on your pelvis.</p>
	<p>Recovery</p> <p>Upper body tips forward over your pelvis and move forward.</p>
	<p>Catch</p> <p>Back to the starting position and begin again.</p>

Catch - Drive

Begin the stroke comfortably in forward position and push strongly back with your legs while keeping your arms and back straight.

Finish

Begin to pull your arms back as they pass over your knees and continue the stroke through to completion rocking slightly back over your pelvis.

Recovery - Catch

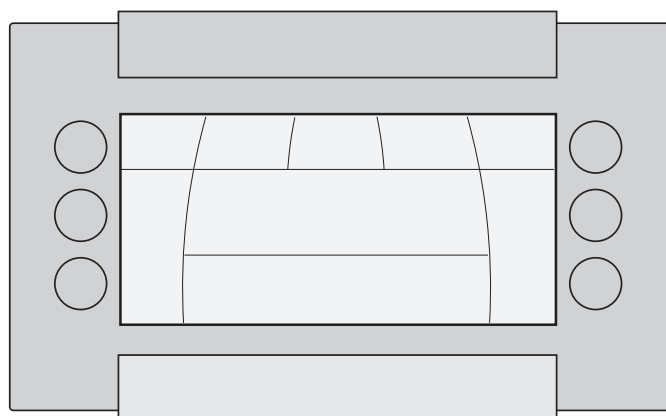
Return to the starting position and repeat.

Use

Setting clock

- Press and hold the MODE button and the RESET button for 2 seconds to reset the meter.
- Press the UP button or the DOWN button to set the clock.

Console (fig. D-1)



CAUTION

- Keep the console away from direct sunlight.
- Dry the surface of the console when it is covered with drops of sweat.
- Do not lean on the console.



NOTE

- The console switches to standby mode when the equipment is not used for 4 minutes. If the console is in standby mode, the display shows the room temperature

Explanation of buttons

Mode

- Selection of the goal values.
- The same button is also on the remote control of the pull bar.

Reset

- In setting mode, press RESET key once to reset the current function figures.
- Press RESET key and hold for 2 seconds to reset all function figures

Up

- Increase resistance level
- Setting selection.

The same buttons are also on the remote control of the pull bar.

Down

- Decrease resistance level
- Setting selection.

The same buttons are also on the remote control of the pull bar.

Recovery

Measuring the recovery heart rate

START/STOP

Starting and interrupting the exercise

Pull-bar buttons (fig. D-2)

The buttons in question only transmit individual keystrokes to the meter; the meter does not recognize longer keystrokes.

If the pull-bar buttons do not work, reset the remote-control function by pressing all three pull-bar buttons simultaneously for five seconds. Then, test the operation of the pull-bar buttons.

Note that there is a battery inside the pull bar. If the pull-bar buttons do not operate, replace the battery, and make sure that you place it in the right direction. Note, however, that in home use, the battery will last several years.



CAUTION

- When you finish exercising, return the pull bar to its holder. Never release your grip on the pull bar in the middle of a rowing motion

Explanation Display functions

Strokes (pull speed/min)

The number of pulls/min; there is also a bar below the readout display which indicates pull speed.

Exercise duration

00:00-99:59; measuring at 1 second intervals,
H 1:40-h9:59 measuring at 1 minute intervals.

Heart rate during exercise

The symbol of a heart blinks simultaneously with your own heart rate during the exercise.

The arrow signs show if the heart rate exceeds or surpasses the set values.

Exercise trip length (km)

00.0 – 99.99 km

Speed (timer for a 500m distance, kmh)

time 0-9.59/500m, 00.0-99.9 kmh

Energy consumption

Kcal Estimated total energy consumption during the exercise, 0 –9999 kcal

Clock (Clock)

Real time clock

Thermometer (Temp C)

Measures the room temperature either in Celsius

Hygrometer (Humidity %)

Measures the room humidity, 0-100%.

Display of main values

The chosen exercise value shows in large numbers in the middle of the console; other values are shown in the upper row displays.

Display of an exercise profile

The profile of a preprogrammed exercise program.

Programs

Target HR

(constant heart rate)

- Press + or - key, until the text Target HR is shown under the main number display.
- Set the desired constant heart rate for the exercise by pressing MODE. The display shows the word PULSE and the symbols of a heart and an arrow up / arrow down. You can set the desired heart rate by pressing the "Up / Down" keys. Switch to the following step by pressing MODE.
- TIME = select the desired exercise duration by pressing the "Up / Down" keys. Switch to the following step by pressing the MODE key.
- DISTANCE = select the desired distance by pressing the "Up / Down" keys. Switch to the following step by pressing the MODE key.
- KCAL= select the goal value of energy consumption by pressing the "Up / Down" keys. Switch back to setting the exercise duration by pressing the MODE key.
- You can start exercising by pressing the START/ STOP key. Start rowing and adjust the heart rate level if necessary during the exercise.
- You can interrupt the exercise by pressing START/ STOP ("Over" is shown in the display). The program information stays in the console memory for five minutes. If you resume with training within this time, simply press the START/STOP key again to continue.

- You can stop exercising by pressing RESET when the console is in the pause mode.
- If you have set a goal value, the console gives a signal and the displayed value starts blinking after the goal has been reached. Reset the display by first pressing START/ STOP and thereafter RESET.

Exercise profiles

- After the console is switched on, press + or - key until the display shows a profile code (P1-P8) and the profile form. All profiles are so called standard power profiles: the faster you row, the faster you move forward in distance measured by the meter. All of the preprogrammed profiles are 20 minutes in duration.
- Select the desired profile by the + / - keys. Press MODE to switch to setting the exercise profile duration; with the + / - keys you can set the time in five minutes increments between 10 and 90 minutes.
- Start exercising by pressing START/STOP. Start rowing. With the + / - keys, you can change the resistance level in the section of the profile you are performing at the moment. The + key increases the resistance; the - key decreases it.
- You can interrupt the exercise by pressing START/ STOP ("Over" is shown in the display). The program information stays in the console memory for five minutes. If you
- resume with training within this time, simply press the START/STOP key again to continue.
- You can stop exercising by pressing RESET when the console is in the pause mode. If you complete the whole profile, the console gives a signal tune and the displayed value starts blinking after the goal has been reached. Reset the display by first pressing START/STOP and thereafter RESET.

Recovery

MEASURING THE RECOVERY PULSE

Measure your recovery pulse rate at the end of the workout.

- To start the measuring of the recovery pulse rate, press RECOVERY. The display also shows the word "Recovery".
- The measuring starts automatically and takes two minutes.
- Upon completion of the measurement, the display shows the recovery rate as a percentage. The smaller the rate, the fitter you are. Please note that your results are in a relation to the pulse level in the beginning of the measurement, and that your results are personal and cannot directly be compared with any other person's results. In order to improve the reliability of recovery pulse

measurement, always try to standardize the measurement situation as accurately as possible; start measuring at the same heart rate level as precisely as possible.

- To switch back to the main display by pressing RESET. The console will also automatically switch to the main display one minute after the completion of the measurement.

Cleaning and maintenance

The equipment does not require special maintenance. The equipment does not require recalibration when it is assembled, used and serviced according to the instructions.



WARNING

- Do not use solvents to clean the equipment.
- Clean the equipment with a soft, absorbent cloth after each use.
- Regularly check that all screws and nuts are tight.
- If necessary, lubricate the joints.
- Clean the inner surfaces of the rail if necessary so that the seat moves as smoothly and quietly as possible. If necessary, you may improve the seat movement by adding paraffin to the surface of the rails..

Defects and malfunctions

Despite continuous quality control, defects and malfunctions caused by individual parts can occur in the equipment. In most cases, it will be sufficient to replace the defective part.

- If the equipment does not function properly, immediately contact the dealer.
- Provide the model number and the serial number of the equipment to the dealer. State the nature of the problem, conditions of use and purchase date.

Transport and storage



WARNING

- Carry and move the equipment with at least two persons.
- Remain standing in front of the equipment on each side and take a sturdy grip at the handlebars. Tilt the front of the equipment so as to lift the rear of the equipment on the wheels. Move the equipment and carefully put the equipment down. Place the equipment on a protective base to prevent damage to the floor surface.

- Move the equipment carefully over uneven surfaces. Do not move the equipment upstairs using the wheels, but carry the equipment by the handlebars.
- Store the equipment in a dry place with as little temperature variation as possible.

Folding

- Loosen the locking pin under the front frame, press the front frame downward slightly and pull the locking pin upward.
- Open the latch on the left hand side by pressing the tab to the side. Lift the front frame up at the same time.

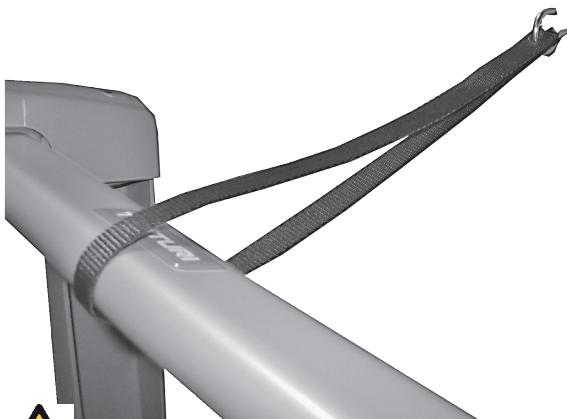


- Lower the front frame carefully in between the rails. Ensure that the front frame is locked.
- Grasp the cross bar at the back of the rowing machine and lift the device to an upright position so that it is supported by the front end support legs.



NOTE

Store the rowing machine in the storage position against a wall in such a way that the front frame cannot fall on anyone by accident.



CAUTION

- The device is shipped with a loop and a hook for securing the rowing machine properly in the storage position.

Choose an appropriate storage site for your rowing machine next to a wall and attach the hook tightly to the wall at the right height. Lift the rowing machine to

the storage position in front of the hook. Thread the loop provided with the rowing machine around the cross bar and attach the loop to the hook. Do not climb on the rowing machine when it is in storage position!

Additional information

Packaging disposal

Government guidelines ask that we reduce the amount of waste material disposed of in land fill sites. We therefore ask that you dispose of all packaging waste responsibly at public recycling centres.

End of life disposal

We at Tunturi hope you enjoy many years of enjoyable use from your fitness trainer. However, a time will come when your fitness trainer will come to the end of its useful life. Under 'European WEEE Legislation you are responsible for the appropriate disposal of your fitness trainer to a recognised public collection facility.

Technical data

Parameter	Unit of measurement	Value
Length	cm inch	197 77,6
Width	cm inch	50 19.7
Height	cm inch	66 26
Weight	kg lbs	46.4 102.3
Max. user weight	kg lbs	135 300
Adapter Voltage Current	V Ma.	6V-DC 500 Ma.

Warranty

Warranty terms

The consumer is entitled to the applicable legal rights stated in the national legislation concerning the commerce of consumer goods. This warranty does not restrict these rights. The Purchaser's Warranty is only valid if the item is used in an environment approved by Tunturi New Fitness BV for that particular equipment. The product-specific approved environment is stated in the Owner's Manual provided with your equipment.

Warranty conditions

The warranty conditions commence from the date of purchase. Warranty conditions may vary per country, so please consult your local dealer for the warranty conditions.

Warranty coverage

Under no circumstances shall Tunturi New Fitness BV or the Tunturi Distributor be liable by virtue of this warranty or otherwise for any special, indirect, secondary or consequential damages of any nature arising out of any use or inability to use this equipment.

Warranty limitations

This warranty covers manufacturing defects in the fitness equipment as originally packed by Tunturi New Fitness BV. The warranty shall apply only under conditions of normal, recommended use of the product as described in the Owner's Manual and providing that Tunturi New Fitness BV's instructions for installation, maintenance and use have been complied with. Neither Tunturi New Fitness BV's nor the Tunturi Distributors' obligations apply to defects due to reasons beyond their control. The warranty applies only to the original purchaser and is valid only in countries where Tunturi New Fitness BV has an authorised importer. The warranty does not extend to fitness equipment or components that have been modified without the consent of Tunturi New Fitness BV. Defects resulting from normal wear, misuse, abuse, corrosion, or damage incurred during loading or transportation are not covered.

The warranty does not cover sounds or noises emitted during use where these do not substantially impede the use of the equipment and where they are not caused by a fault in the equipment. The warranty does not cover defects arising from the failure to carry periodic maintenance as outlined within the Owner's Manual for the product. Furthermore, the warranty does not cover defects arising from usage and storage within an unsuitable environment as described within the Owner's Manual which should be indoors, dry, dust and grit free and within a temperature range of +15°C to +35°C. The warranty does not cover maintenance activities, such as cleaning, lubricating, and normal part adjustments, nor installation

procedures that customers can accomplish themselves, such as changing uncomplicated meters, pedals and other similar parts not requiring any dismantling/reassembling of the fitness equipment. Warranty repairs carried out by other than authorised Tunturi representatives are not covered.

Failure to follow the instructions given in the Owner's Manual will invalidate the product's warranty.

Declaration of the manufacturer

Tunturi New Fitness BV declares that the product is in conformity with the following standards and directives: EN 957 (HB), 89/336/EEC. The product therefore carries the CE label.

01-2017

Tunturi New Fitness BV
Purmerweg 1
1311 XE Almere
The Netherlands

Disclaimer

© 2017 Tunturi New Fitness BV
All rights reserved.

The product and the manual are subject to change.
Specifications can be changed without further notice.

Index

Rudergerät	19
Warnhinweise zur Sicherheit.....	19
Beschreibung	20
Zusammenbau (Abb. B)	20
Stromzufuhr (Abb C)	20
Trainings.....	20
Trainingsanleitung	20
Herzfrequenzmessung (Herzfrequenz-Brustgürtel)	21
Richtig Rudern	22
Gebrauch.....	22
Konsole (Abb D-1)	22
Erläuterung der Schalter	23
Erläuterung der Anzeigefunktionen	23
Bedienung	23
Programme	24
Reinigung und Wartung	25
Störungen und Fehlfunktionen	25
Transport und Lagerung	25
Zusätzliche Informationen	26
Technische Daten	26
Garantie	27
Herstellererklärung.....	27
Haftungsausschluss	27

Deutsch

Diese deutsche Bedienungsanleitung ist eine Übersetzung des englischen Textes. Es können keine Rechte auf diese Übersetzung abgeleitet werden.

Rudergerät

Willkommen in der Welt von Tunturi!
 Danke, dass Sie dieses Gerät von Tunturi erworben haben. Tunturi bietet eine breite Palette an Heim-Fitnessgeräten wie beispielsweise Crosstrainer, Laufbänder, Trainingsfahrräder und Rudergeräte an. Die Tunturi Geräte sind für die ganze Familie geeignet - ganz egal, wie fit man ist. Weitere Informationen finden Sie auf unserer Website unter www.tunturi.com

Warnhinweise zur Sicherheit



WARNUNG

Lesen Sie die Warnhinweise zur Sicherheit und die Anweisungen. Werden die Warnhinweise zur Sicherheit und die Anweisungen nicht befolgt, kann dies zu Personenverletzungen und Schäden am Gerät führen. Bewahren Sie die Warnhinweise zur Sicherheit und die Anweisungen zur künftigen Bezugnahme auf.



WARNUNG

Herzfrequenz-Überwachungssysteme können ungenau sein. Eine Überanstrengung kann zu schweren Schädigungen oder zum Tod führen. Wenn Sie sich schwach oder ohnmächtig fühlen, stellen Sie die Übungen unverzüglich ein.

- Das Gerät ist nur für den Hausgebrauch geeignet. Das Gerät ist nicht für den gewerblichen Gebrauch geeignet.
- Die maximale Verwendung ist auf 5 Stunden pro Tag beschränkt.
- Wenn dieses Gerät von Kindern oder Personen mit körperlicher, sensorischer, geistiger oder motorischer Behinderung verwendet wird, oder wenn nicht genügend Erfahrung und Kenntnisse vorhanden sind, kann dies zu Gefahrensituationen führen. Personen, die für deren Sicherheit verantwortlich sind, müssen klare Anweisungen geben oder den Gebrauch des Geräts beaufsichtigen.
- Bevor Sie Ihr Training starten, nehmen Sie Kontakt mit einem Arzt auf, um Ihre Gesundheit kontrollieren zu lassen.
- Falls Sie Übelkeit, ein Schwindelgefühl oder andere anormale Symptome verspüren, hören Sie unverzüglich mit Ihrem Training auf und wenden Sie sich an einen Arzt.
- Um einen Muskelkater zu vermeiden, starten Sie jedes Training mit Aufwärmen und beenden Sie es mit Abkühlen. Denken Sie daran, sich am Ende des Trainings zu dehnen.
- Das Gerät ist nur für den Gebrauch in geschlossenen Räumen geeignet. Das Gerät ist nicht für den Gebrauch im Freien geeignet.
- Verwenden Sie das Gerät nur in Umgebungen mit ausreichender Belüftung. Verwenden Sie das Gerät nicht in zugiger Umgebung, damit Sie sich nicht erkälten.
- Verwenden Sie das Gerät nur in Umgebungen mit Umgebungstemperaturen zwischen 10 °C und 35 °C. Lagern Sie das Gerät nur in Umgebungen mit einer Umgebungstemperatur zwischen 5 °C und 45 °C.
- Verwenden und lagern Sie das Gerät nicht in feuchten Umgebungen. Die Luftfeuchtigkeit darf niemals 80% überschreiten.

- Verwenden Sie das Gerät nur bestimmungsgemäß. Verwenden Sie das Gerät nicht für einen anderen als für den in diesem Handbuch beschriebenen Zweck.
- Verwenden Sie das Gerät nicht, falls Teile beschädigt oder defekt sind. Ist ein Teil beschädigt oder defekt, wenden Sie sich an Ihren Händler.
- Halten Sie Ihre Hände, Füße und andere Körperteile von den beweglichen Teilen fern.
- Halten Sie Ihr Haar von den beweglichen Teilen fern.
- Tragen Sie entsprechende Kleidung und Schuhe.
- Halten Sie Kleidung, Schmuck und andere Gegenstände von den beweglichen Teilen fern.
- Vergewissern Sie sich, dass das Gerät nur von einer Person auf einmal verwendet wird. Das Gerät darf nicht von Personen verwendet werden, deren Gewicht 135 kg (300 lbs) überschreitet.
- Öffnen Sie das Gerät nicht, ohne vorher mit Ihrem Händler zu sprechen.

Beschreibung

Ihr Rudergerät ist ein ortsgebundenes Fitnessgerät, das zur Simulation des Ruderns erwendet wird, ohne dabei einen übermäßigen Druck auf die Gelenke auszuüben.

Zusammenbau (Abb. B)



WARNUNG

- Fehlt ein Teil, wenden Sie sich an Ihren Händler.
- Tragen und bewegen Sie das Gerät mit mindestens zwei Personen.



VORSICHT

- Stellen Sie das Gerät auf festen, ebenen Boden.
 - Stellen Sie das Gerät auf eine schützende Unterlage, um Schäden am Bodenbelag zu vermeiden.
 - Sorgen Sie rund um das Gerät für einen Freiraum von mindestens 100 cm.
- Das Rudergerät wird transportgesichert geliefert. Ziehen Sie den über den Rahmen geklappten Vorderrahmen nach oben und nach vorne.
 - Ziehen Sie den Sicherungsstift hoch und drücken Sie den Vorderrahmen gleichzeitig bei der Seilzugabdeckung nach unten.
 - Lassen Sie den Sicherungsstift los und vergewissern Sie sich, dass der Vorderrahmen vorwärts gerichtet eingerastet ist.
 - Befestigen Sie stets den Sicherungsstift bevor Sie mit dem Training beginnen.

Stellen Sie das Cockpit so ein, dass es einen für das Training geeigneten Winkel aufweist.

Stromzufuhr (Abb C)

Das Trainingsgerät wird über eine externe Stromversorgung mit Strom versorgt.



HINWEIS

- Befestigen Sie den Transformator am Trainer bevor Sie diese in der Steckdose stecken.
- Entfernen sie immer das Netzkabel wenn der Trainer nicht benutzt wird.

Trainings

Das Training muss leicht und geeignet, aber von langer Dauer sein. Aerobic-Übungen basieren auf der Verbesserung der maximalen Sauerstoffaufnahme des Körpers, was wiederum die Ausdauer und Fitness verbessert. Sie sollten während des Trainings zwar ins Schwitzen, aber nicht außer Atem kommen. Um eine Basisfitness zu erreichen und zu halten, üben Sie mindestens drei mal pro Woche 30 Minuten lang an einem Stück. Erhöhen Sie die Anzahl der Übungssitzungen, um Ihre Fitness zu verbessern. Es lohnt sich, die regelmäßigen Übungen mit einer gesunden Diät zu kombinieren. Personen, die Diät machen, sollten täglich zuerst 30 Minuten oder weniger an einem Stück üben und die tägliche Trainingszeit allmählich auf eine Stunde verlängern. Beginnen Sie Ihr Training mit niedriger Geschwindigkeit und geringem Widerstand, um zu vermeiden, dass das Herzkreislaufsystem einer übermäßigen Belastung ausgesetzt wird. Mit sich verbessernder Fitness können Geschwindigkeit und Widerstand allmählich erhöht werden. Die Wirksamkeit Ihrer Übungen kann durch Überwachung der Herzfrequenz und Ihrer Pulsfrequenz gemessen werden.

Trainingsanleitung

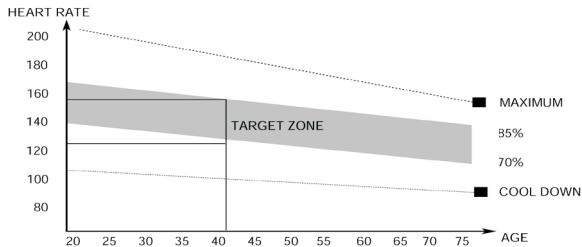
Die Verwendung des Fitnesstrainers wird Ihnen viele Vorteile bieten: Er verbessert Ihre körperliche Fitness, formt die Muskeln und hilft Ihnen, in Verbindung mit einer kalorienreduzierten Diät, Gewicht zu verlieren.

Die Aufwärm-Phase

Der Blutkreislauf wird angeregt und die Muskelfunktionen werden unterstützt. Außerdem wird das Risiko von Krämpfen und Muskelverletzungen gesenkt. Sie sollten, wie unten angezeigt, einige Dehnungsübungen machen. Sie sollten weder die Dehnungsbewegung erzwingen noch die Muskeln dabei ruckweise bewegen - wenn Sie Schmerzen haben, sollten Sie AUFHÖREN.

Die Trainings-Phase

In dieser Phase strengen Sie sich an. Nach regelmäßiger Verwendung werden die Muskeln in Ihren Beinen beweglicher. In dieser Phase ist es sehr wichtig, immer ein gleichmäßiges Tempo beizubehalten. Die Anstrengung sollte ausreichen, um Ihren Herzschlag bis in die Zielzone zu erhöhen, die im folgenden Diagramm dargestellt ist.



Diese Phase sollte mindestens 12 Minuten dauern; die meisten Menschen beginnen mit ca. 15 bis 20 Minuten.

Die Abkühlungs-Phase

Sie dient der Entspannung Ihres Herz-Kreislaufsystems und Ihrer Muskeln. Dabei werden die Aufwärmübungen wiederholt, reduzieren Sie zum Beispiel Ihr Tempo und machen Sie ca. 5 Minuten weiter. Jetzt sollten die Dehnübungen wiederholt werden. Denken Sie wiederum daran, weder die Dehnungsbewegung zu erzwingen noch die Muskeln dabei ruckweise zu bewegen.

Wenn Sie fitter werden, kann es sein, dass Sie länger und härter trainieren müssen. Sie sollten mindestens drei Mal die Woche trainieren und, falls möglich, Ihre Trainingseinheiten gleichmäßig über die Woche verteilen.

Muskelformung

Um Ihre Muskeln beim Training auf dem Fitnessstrainer zu formen, müssen Sie den Widerstand ziemlich hoch einstellen. Dadurch werden die Beinmuskeln mehr angestrengt und Sie können möglicherweise nicht so lange trainieren, wie Sie möchten. Wenn Sie außerdem Ihre Fitness verbessern möchten, müssen Sie Ihr Trainingsprogramm ändern. Sie sollten in den Aufwärm- und Abkühlphasen normal trainieren, jedoch gegen Ende der Trainingsphase den Widerstand erhöhen, damit Ihre Beine härter arbeiten müssen. Sie müssen die Geschwindigkeit verringern, damit Ihre Herzfrequenz in der Zielzone bleibt.

Gewichtsabnahme

Der wichtige Faktor ist, wie sehr Sie sich anstrengen. Je härter und je länger Sie trainieren, desto mehr Kalorien verbrennen Sie. Dies ist im Grunde dasselbe, wie wenn zur Verbesserung Ihrer Fitness trainieren, nur das Ziel ist ein anderes.

Herzfrequenzmessung (Herzfrequenz-Brustgürtel)

Die genaueste Herzfrequenzmessung lässt sich mit einem Herzfrequenz-Brustgürtel erzielen. Die Herzfrequenz wird mit einem Herzfrequenzempfänger in Kombination mit einem Herzfrequenz-Sendegürtel gemessen. Für eine genaue Herzfrequenzmessung ist es erforderlich, dass die Elektroden am Sender etwas feucht sind und die Haut konstant berühren. Sind die Elektroden zu trocken oder zu feucht, wird die Herzfrequenzmessung weniger genau.



WARNUNG

Falls Sie einen Schrittmacher haben, wenden Sie sich zunächst an einen Arzt, bevor Sie einen Herzfrequenz-Brustgürtel verwenden.



VORSICHT

- Falls sich mehrere Herzfrequenz-Messgeräte in gegenseitiger Nähe befinden, vergewissern Sie sich, dass der Abstand zwischen ihnen mindestens 1,5 Meter beträgt.
- Falls nur ein Herzfrequenzempfänger und mehrere Herzfrequenzsender vorhanden sind, vergewissern Sie sich, dass nur eine Person mit einem Sender in Sendereichweite ist.



HINWEIS

- Tragen Sie den Herzfrequenz-Brustgürtel stets mit direktem Hautkontakt unter Ihrer Kleidung. Tragen Sie den Herzfrequenz-Brustgürtel nicht auf Ihrer Kleidung. Falls Sie den Herzfrequenz-Brustgürtel auf Ihrer Kleidung tragen, gibt es kein Signal.
- Wenn Sie sich einen Herzfrequenz-Grenzwert für Ihr Training setzen, ertönt beim Überschreiten ein Signal.
- Der Sender überträgt die Herzfrequenz in einem Abstand bis zu 1 Meter zur Konsole. Sind die Elektroden nicht feucht, erscheint die Herzfrequenz nicht auf der Anzeige.
- Einige Fasern in der Kleidung (z.B. Polyester, Polyamid) erzeugen statische Elektrizität, die eine genaue Herzfrequenzmessung verhindern kann.
- Mobiltelefone, Fernsehgeräte und andere Elektrogeräte erzeugen ein elektromagnetisches Feld, das eine genaue Herzfrequenzmessung verhindern kann.

Maximale Herzfrequenz (während des Trainings)

Die maximale Herzfrequenz ist die höchste Herzfrequenz, die eine Person durch Übungsbelastung sicher erzielen kann. Folgende Formel wird zur Berechnung der durchschnittlichen maximalen Herzfrequenz verwendet: $220 - \text{ALTER}$.

Die maximale Herzfrequenz variiert von Person zu Person.

! WARNUNG

- Stellen Sie sicher, dass Sie während des Trainings Ihre maximale Herzfrequenz nicht überschreiten. Falls Sie einer Risikogruppe angehören, wenden Sie sich an einen Arzt.

**Anfänger
50-60% der maximalen Herzfrequenz**

Geeignet für Anfänger, Gewicht- Beobachter, Genesende und Personen, die schon lange nicht mehr trainiert haben. Trainieren Sie mindestens dreimal pro Woche 30 Minuten an einem Stück.

**Fortgeschritten
60-70% der maximalen Herzfrequenz**


Geeignet für Personen, die ihre Fitness verbessern und halten wollen. Trainieren Sie mindestens dreimal pro Woche 30 Minuten an einem Stück.

**Experte
70-80% der maximalen Herzfrequenz**

Geeignet für die fittesten Personen, die sich an lange Ausdauertrainings gewöhnt haben.

Richtig Rudern

	Vorlage Angenehm nach vorne mit gestreckte Arme und Rücken.
	Durchzug Drücke mit den Beinen nach hinten während die Arme gestreckt bleiben.
	Rücklage Ziehe mit den Armen und Beinen durch bis Sie leicht nach hinten lehnen.
	Vorziehen Oberkörper nach vorne lehnen und Körper nach vorne bewegen.

	Vorlage Gehen Sie zurück in die Ausgangsposition und wiederholen Sie den Vorga.
--	---

Vorlage - Durchzug

Beginnen Sie mit angenehm nach vorne gestreckten Armen und Rücken. Drücken Sie die beine nach hinten, die Arme und der Rücken bleiben gestreckt.

Rücklage

Ziehe die Arme zurück sobald diese über die Knie sind und ziehe diese durch bis Sie leicht nach hinten lehnen.

Vorlage

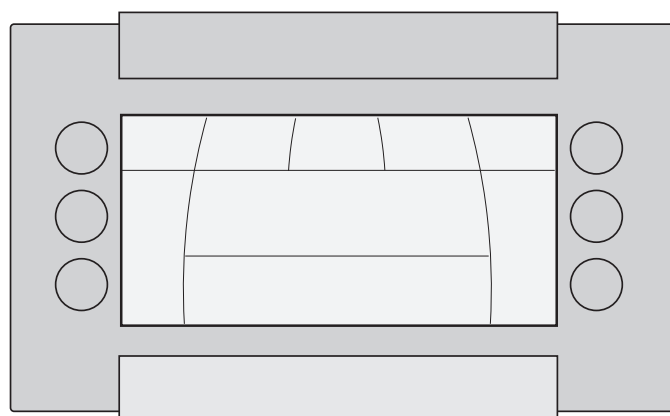
Gehe zurück zur Ausgangsposition und wiederholen Sie den Vorgang.

Gebrauch

Einstellen der Uhr

- Drücken und halten Sie die MODE-Taste und die RESET-Taste 2 Sekunden
- lang, um das Messgerät zurückzusetzen.
- Drücken Sie auf die UP- oder DOWN-Taste, um die Uhr einzustellen.

Konsole (Abb D-1)



! VORSICHT

- Halten Sie die Konsole von direkter Sonneneinstrahlung fern.
- Trocknen Sie die Oberfläche der Konsole, wenn Sie mit Schweißtropfen bedeckt ist.
- Lehnen Sie sich nicht auf die Konsole.
- Berühren Sie die Anzeige nur mit Ihrer Fingerspitze. Vergewissern Sie sich, dass Ihre

Nägel oder andere scharfe Gegenstände die Anzeige nicht berühren.



HINWEIS

- Die Konsole schaltet in den Standby-Modus, wenn das Gerät 4 Minuten lang nicht verwendet wird.

Erläuterung der Schalter

Mode

- Wahl der Zielwerte.
- Dieselbe Taste findet sich auch auf der Fernbedienung der Zugstange.

Reset

Nullen der Trainingswerte, Enden des Trainings und Rückkehr zur Hauptanzeige.

Up

- Drehen Sie den Schalter im Uhrzeigersinn, um die Einstellwert zu erhöhen.
- Erhöhen des Widerstands.

Dieselben Tasten finden sich auch auf der Fernbedienung der Zugstange.

Down

- Drehen Sie den Schalter gegen den Uhrzeigersinn, um die Einstellwert zu verringern.
- Verringern des Widerstands.

Dieselben Tasten finden sich auch auf der Fernbedienung der Zugstange.

Recovery

Messung der Erholungsherzfrequenz.

Start / stop

Das Training starten und unterbrechen.

Zugstangentasten (abb. D-2)

Die Tasten übertragen nur die Informationen von einzeln gedrückten Tasten an das Messgerät; das Messgerät erkennt kein längeres Drücken der Tasten.

Wenn die Zugstangentasten nicht funktionieren, drücken Sie der drei Zugstangentasten für 5 Sekunden. Prüfen Sie dann den Betrieb der Zugstangentasten.

Beachten Sie, dass die Zugstange über eine Batterie verfügt. Sollten die Tasten der Zugstange nicht funktionieren, tauschen Sie die Batterie aus und vergewissern Sie sich, dass Sie die neue Batterie richtig herum einsetzen. Bei normalem Gebrauch zu Hause kann die Lebensdauer der Batterie mehrere Jahre betragen.



VORSICHT

Setzen Sie nach dem Training die Zugstange auf den Halter zurück. Lassen Sie die Zugstange niemals mitten in einer Ruderbewegung los

Erläuterung der Anzeigefunktionen

Strokes (Schlaggeschwindigkeit/Min)

Die Anzahl an Schlägen/Minute; unterhalb der Anzeige befindet sich auch eine Leiste, welche die Schlaggeschwindigkeit wiedergibt.

Trainingsdauer 00:00 – 99:59, Messung nach jeder Sekunde, h1:40 – h9:59 Messung nach jeder Minute

Herzfrequenz während des Trainings Herz-Symbol blinkt im Takt mit der gemessenen Herzfrequenz.

Trainingsstrecke (km)
0.00-99.99 km

Speed (Timer für eine 500-Meter-Strecke; kmh) Zeit 0-9.59/500m.

Energieverbrauch (Kcal)
Der berechnete Gesamtenergieverbrauch während des Trainings: 0-9999 kcal

Uhr (Clock)
Realzeituhr

Thermometer (Temp C)
Messung der Raumtemperatur (Celsius)
HUMIDITY % (Feuchtigkeit)
Messung der Raumsfeuchtigkeit, 0-100%

Hauptnummerdisplay
Der gewählte Wert wird in grossen Nummern in der Mitte des Cockpits angezeigt. Andere Werte werden im oberen Rad gezeigt.

Profilanzeige des Trainingsprogramms Das Profil eines gewählten fertigen Trainingsprogramms.

Bedienung

Einschalten

- Stecken Sie den Stecker der Stromversorgung in die Steckdose. Der Computer fährt hoch und alle Segmente der LCD-Anzeige leuchten 2 Sekunden lang auf.
- Drücken Sie auf eine beliebige Taste, wenn sich die Konsole im Ruhemodus befindet.

Einstellen der Uhr

- Drücken und halten Sie die MODE-Taste und die RESET-Taste 2 Sekunden lang, um das Messgerät zurückzusetzen.
- Drücken Sie auf die UP- oder DOWN-Taste, um die Uhr einzustellen.

Programme

Manual training

- Sie können direkt mit dem Training beginnen, indem Sie die START/STOP-Taste drücken. Passen Sie den Widerstandsgrad während des Trainings mit dem Einstellknopf an.
- Sie können mit dem Training durch Wahl der Zielwerte anfangen. Die "Up / Down" Taste drücken bis am Display das Wort "Manual" steht.
- Die MODE-Taste drücken um die Zielwerte einzustellen.
- TIME = Trainingsdauer mit der Plus- und Minustasten einstellen. Mit der MODE-Taste kommen Sie weiter an die nächste Einstellung.
- DISTANCE = Trainingsstrecke mit der Plus und Minustasten einstellen. Mit MODE-Taste kommen Sie weiter an die nächste Einstellung.
- KCAL = Zielwerte für Energieverbrauch mit der Plus- und Minustasten einstellen. Mit MODE-Taste kommen Sie weiter an die nächste Einstellung.
- PULSE = Obergrenze für Herzfrequenz mit den Plus- und Minustasten einstellen: das Cockpit zeigt ein Herz und einen "Pfeil oben" an. Durch Drücken der MODE –Taste können Sie die Untergrenze für Herzfrequenz mit der Plus- und Minustasten einstellen: das Display zeigt jetzt ein Herz und einen "Pfeil unten" an. Wenn der Herzfrequenzwert die Obergrenze überschreitet, blinkt der betroffene Pfeil an dem Display. Rückkehr zur Einstellung der Trainingsdauer (= TIME) geschieht durch Drücken der MODE Taste.
- Sie können mit dem Training durch Drücken der START/STOP –Taste anfangen. Starten Sie zu rudern und beim Bedarf den Widerstand während des Trainings justieren.
- Sie können das Training durch Drücken der START/ STOP –Taste unterbrechen (das Display zeigt "Over" an. Die Programminformation wird fünf Minuten lang gespeichert. Kehren Sie zurück zum Training während dieser Zeit brauchen Sie nur die START/STOP –Taste aufs neue zu drücken.
- Während der Pause können Sie das Training durch Drücken der RESET-Taste enden.
- Wenn Sie sich ein Zielwert eingestellt haben, gibt das Cockpit ein Signallaut und das gezeigte Wert beginnt zu blinken, welches bedeutet dass Sie das Ziel erreicht haben. Die Anzeige mit der START/ STOP –Taste nullen und danach noch die RESET-Taste drücken. Reset the display by first pressing START/STOP and thereafter RESET.

Target HR

(Konstante herzfrequenz)

Für ein Zielpulstraining (Target HR) müssen Sie das gewünschte Standardpulsniveau einstellen; während des Trainings hält das Gerät das eingestellte Pulsniveau ungeachtet der Trainingsgeschwindigkeit aufrecht.

- Die "Up / Down" Taste drücken, bis das Display zeigt "Target HR" an.
- Das gewünschte Herzfrequenzniveau für das Training durch Drücken der MODE-Taste einstellen. Jetzt zeigt das Display "PULSE", ein Herz und ein Pfeil oben/unten an. Das Zielniveau für die Herzfrequenz mit den Plus- und Minustasten einstellen. Mit der MODE-Taste kommen Sie weiter an die nächste Einstellung.
- TIME = Trainingsdauer mit den Plus- und Minustasten einstellen. Mit der MODE-Taste kommen Sie weiter an die nächste Einstellung.
- DISTANCE = Trainingsstrecke mit den Plus und Minustasten einstellen. Mit der MODE-Taste kommen Sie weiter an die nächste Einstellung.
- KCAL = Zielwerte für Energieverbrauch mit den Plus- und Minustasten einstellen. Mit der MODE-Taste kommen Sie weiter an die nächste Einstellung. Rückkehr zur Einstellung der Trainingsdauer (= TIME) geschieht durch Drücken der MODE-Taste.
- Sie können mit dem Training durch Drücken der START/STOP –Taste anfangen. Starten Sie zu rudern und beim Bedarf das Herzfrequenzniveau während des Trainings justieren.
- Sie können das Training durch Drücken der START/ STOP –Taste unterbrechen (das Display zeigt "Over" an. Die Programminformation wird für fünf Minuten lang gespeichert. Kehren Sie zurück zum Training während dieser Zeit Minuten brauchen Sie nur die START/STOP
- Sie können das Training durch Drücken der RESET-Taste enden während das Cockpit in dem Pausezustand ist.
- Wenn Sie sich ein Zielwert eingestellt haben, gibt das Cockpit ein Signallaut und das gezeigte Wert beginnt zu blinken, welches bedeutet, dass Sie das Ziel erreicht haben. Das Display mit der START/ STOP –Taste nullen und danach noch die RESET-Taste drücken

Trainingsprofile

- Nachdem das Cockpit eingeschaltet ist, + oder - Taste drücken bis auf dem Display ein Profilkod (P1-P8) und ein Profilform angezeigt werden. Bei allen Profilen handelt es sich um so genannte Standard- Leistungsprofile: Je schneller Sie rudern, desto schneller bewegen Sie sich auf der von dem Messgerät gemessen Entfernung vorwärts. Die vorprogrammierte Dauer aller Profile beträgt 20 Minuten.

- Das gewünschte Profil mit der + oder - Taste wählen. Durch Drücken der MODE-Taste kann die Dauer des Profils eingestellt werden: mit "Up / Down" Tasten kann die Zeit jede fünf Minuten zwischen 10:00 und 90:00 Minuten eingestellt werden.
- Das Training durch Drücken der START/ STOP – Taste beginnen. Beginnen Sie zu rudern. Durch Drücken der "Up / Down" Tasten kann jenes Widerstandsniveau des Profils geändert werden, das gerade im Gang ist. Mit der + Taste nimmt der Widerstand zu; mit der – Taste nimmt er ab.
- Sie können das Training durch Drücken der START/ STOP –Taste unterbrechen (am Cockpit zeigt das Wort "Over". Die Programminformation wird für fünf Minuten lang gespeichert. Kehren Sie zurück zum Training während dieser Zeit brauchen Sie nur die START/STOP –Taste aufs neue zu drücken.
- Sie können das Training durch Drücken der RESET-Taste beenden, wenn das Cockpit im Pausezustand ist. Wenn Sie das ganze Profil durchgeführt haben, gibt das Gerät ein Signallaut und blinkt den Zielwert, welches bedeutet dass Sie die Zielwerte erreicht haben. Das Display durch Drücken der START/STOP –Taste nullen und danach die RESET-Taste drücken.

Recovery

Messung der erholungsherzfrequenz
Messen Sie Ihre Erholungsherzfrequenz nach dem Training.

- Die Messung der Erholungsherzfrequenz wird durch Drücken die "RECOVERY"-Taste gestartet. Auch das Display zeigt "Recovery" an.
- Die Messung startet automatisch und dauert zwei Minuten.
- Nach dem Ende der Messung zeigt das Display die Erholungsbeziehung als ein Prozentzahl. Je kleiner dieser Zahl ist, desto besser ist Ihre Kondition! Beachten Sie, dass Ihre Ergebnisse in Beziehung mit dem Pulsniveau vom Messungsanfang steht, und dass Ihre Ergebnisse immer persönliche Ergebnisse sind, die nicht mit Ergebnissen anderer Menschen direkt vergleichbar sind. Zur Verbesserung der Zuverlässigkeit der Messung sollten Sie stets versuchen, den Messvorgang möglichst genau zu standardisieren; beginnen Sie die Messung möglichst genau auf dem gleichen Herzfrequenzniveau.
- Der Rückkehr zum Hauptdisplay geschieht durch Drücken der RESET-Taste. Das Hauptdisplay stellt auch automatisch auf die Normalanzeige nach einem Minut um.

Reinigung und Wartung

Das Gerät bedarf keiner besonderen Wartung. Das Gerät muss nicht neu kalibriert werden, wenn es gemäß den Anweisungen zusammengebaut, verwendet und gewartet wird.



WARNUNG

- Entfernen Sie vor der Reinigung und Wartung den Adapter.
 - Verwenden Sie zur Reinigung des Geräts keine Lösungsmittel.
- Reinigen Sie das Gerät nach dem Gebrauch mit einem weichen aufnahmefähigen Lappen.
 - Prüfen Sie regelmäßig, ob alle Schrauben und Muttern fest sind.
 - Schmieren Sie die Gelenke, falls erforderlich.
 - Reinigen Sie, falls erforderlich, die Innenseiten der Schiene, sodass sich der Sattel so leicht und leise wie möglich bewegt. Sie können ggf. die Sattelbewegung verbessern, indem Sie auf die Oberflächen der Schienen Paraffin auftragen.

Störungen und Fehlfunktionen

Trotz ständiger Qualitätskontrolle können durch Einzelteile verursachte Störungen und Fehlfunktionen am Gerät auftreten. In den meisten Fällen ist es ausreichend, das defekte Teil zu erneuern.

- Falls das Gerät nicht ordnungsgemäß funktioniert, wenden Sie sich unverzüglich an den Händler.
- Nennen Sie dem Händler Modell- und Seriennummer des Geräts. Schildern Sie die Art des Problems, die Gebrauchsbedingungen und das Kaufdatum.

Transport und Lagerung



WARNUNG

- Entfernen Sie vor dem Transport und der Lagerung den Adapter.
 - Tragen und bewegen Sie das Gerät mit mindestens zwei Personen.
- Bleiben Sie vor dem Gerät auf beiden Seiten und halten Sie die Handgriffe sicher fest. Heben Sie die Vorderseite des Geräts an, damit die Hinterseite auf die Räder gehoben wird. Bewegen Sie das Gerät und setzen Sie es vorsichtig ab. Stellen Sie das Gerät auf eine schützende Unterlage, um Schäden am Bodenbelag zu vermeiden.

- Bewegen Sie das Gerät vorsichtig über unebene Böden. Bewegen Sie das Gerät nicht auf den Rädern Treppen herauf, sondern tragen Sie es an den Handgriffen.
- Lagern Sie das Gerät an einem trockenen Ort mit möglichst wenig Temperaturschwankungen.

Rudergerät kann zur platzsparenden Aufbewahrung wie folgt in aufrechter Position aufbewahrt werden:

- Lösen Sie den Sicherungsstift unter dem Vorderrahmen, drücken Sie den Vorderrahmen leicht nach unten und ziehen den Sicherungsstift nach oben.
- Öffnen Sie die Sperre auf der linken Seite durch Drücken auf die Lasche. Heben Sie gleichzeitig den Vorderrahmen an.

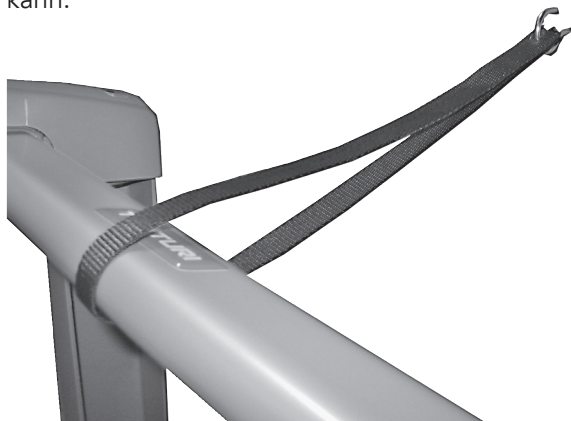


- Klappen Sie den Vorderrahmen vorsichtig zwischen den Schienen zusammen. Vergewissern Sie sich, dass der Vorderrahmen sicher befestigt ist.
- Fassen Sie die Querschleife auf der Rückseite des Rudergeräts und heben Sie das Gerät in eine aufrechte Position, sodass es auf den vorderen Stützen steht.



HINWEIS

Verstauen Sie das Rudergerät in der Aufbewahrungsposition so an einer Wand, dass der Vorderrahmen nicht versehentlich auf eine Person fallen kann.



Sie einen geeigneten Aufbewahrungsort für Ihr Rudergerät neben einer Wand und befestigen Sie den Haken in der richtigen Höhe an der Wand. Heben Sie Ihr Rudergerät vor dem Haken in die Aufbewahrungsposition. Führen Sie die mit dem

Rudergerät gelieferte Schlaufe um die Querschleife und befestigen Sie die Schlaufe am Haken. Nicht auf das Rudergerät klettern, wenn es sich in der

Zusätzliche Informationen

Verpackungsentsorgung

Staatliche Vorschriften sagen, dass wir die in Deponien entsorgen Abfallmengen verringern sollen. Daher bitten wir Sie, den gesamten Verpackungsabfall an öffentlichen Recyclingstellen abzugeben

Entsorgung am ende der Lebensdauer

Wir bei Tunturi hoffen, dass Sie Ihren Fitnesstrainer viele Jahre mit Freude nutzen werden. Jedoch wird irgendwann die Zeit kommen, wenn die Ende der Nutzungsdauer des Fitnesstrainers erreicht ist. Gemäß den europäischen WEEE-Gesetzen sind Sie für eine geeignete Entsorgung des Fitnesstrainers bei einer anerkannten öffentlichen Entsorgungsstelle verantwortlich.

Technische Daten

Parameter	Maßeinheit	Wert
Länge	cm inch	197 77,6
Breite	cm inch	50 19,7
Körpergröße	cm inch	66 26
Gewicht	kg lbs	46.4 102.3
Max. Benutzergewicht	kg lbs	135 300
Adapter Spannung Strom	V Ma.	6V-DC 500 Ma.

Garantie

Garantiebedingungen

Der Käufer ist berechtigt die den Handel mit Konsumgütern betreffenden gesetzlichen Rechte gemäß der nationalen Gesetzgebung in Anwendung zu bringen. Diese Rechte werden durch die Garantie nicht eingeschränkt. Bedingungen zu ersetzen. Die Eigentümer-Garantie gilt nur dann, wenn das Gerät in einer für entsprechende Geräte der Tunturi New Fitness BV zugelassenen Anwendungsumgebung verwendet wird. Die für das Gerät zugelassene Anwendungsumgebung wird in der Bedienungsanleitung des Geräts genannt.

Garantiedauer

Die Garantie gilt ab Kaufdatum. Die Garantiedauer kann sich je nach Land unterscheiden. Bitte wenden Sie sich an Ihren zuständigen Händler, um die Garantiedauer zu erfahren.

Garantieumfang

Unter keinen Umständen haften die Tunturi New Fitness BV oder der Tunturi-Vertragshändler für dem Käufer möglicherweise zugefügte indirekte Schäden wie Gebrauchsbeeinträchtigung oder Einkommensverlust oder anderen wirtschaftlichen Folgeschäden.

Einschränkungen der garantie

Die Garantie deckt durch Herstellung oder Material hervorgerufene Fehler des Fitnessgeräts in dessen ursprünglicher Zusammensetzung. Unter Voraussetzung, dass die Aufbau-, Pflege- und Gebrauchsanweisungen von Tunturi befolgt wurden, erstreckt sich die Garantie auf solche Fehler, die bei normaler und einem dem Gerät beiliegenden Anleitungsbuch entsprechender Benutzung auftreten können. Die Tunturi New Fitness BV und der Tunturi-Vertragshändler haften nicht für Fehler, die durch Faktoren außerhalb ihrer Einflussmöglichkeiten hervorgerufen wurden. Die Garantie gilt nur für den ursprünglichen Eigentümer und nur in den Ländern, in denen es einen von der Tunturi New Fitness BV autorisierten Importeur gibt. Die Garantie gilt nicht für solche Fitnessgeräte oder Teile, an denen ohne Zustimmung der Tunturi New Fitness BV Veränderungen vorgenommen worden sind. Die Garantie betrifft auch nicht solche Schäden, die durch natürlichen Verschleiß, fehlerhaften Gebrauch, Benutzung unter für das Gerät nicht vorgesehenen Umständen, Korrosion, Verladung oder Transport hervorgerufen wurden.

Ersatzleistungen aufgrund von Geräuschen, die beim Einsatz des Geräts auftreten, sind von der Garantie ausgeschlossen, sofern diese Geräusche den Gebrauch des Geräts nicht wesentlich beeinträchtigen und nicht durch einen Gerätefehler bedingt sind. Die Garantie beinhaltet keine Wartungsmaßnahmen,

wie Reinigung, Schmierungen oder normales Kontrollieren der Teile, auch nicht solche Aufbaumaßnahmen, die der Kunde selbst ausführen kann und die kein spezielles Auseinander- oder Zusammenbauen des Fitnessgeräts erfordern. Zu solchen Maßnahmen gehört beispielsweise das Austauschen von Cockpits, Pedalen oder anderer entsprechender einfacher Teile. Andere als die durch einen autorisierten Tunturi-Vertreter ausgeführten Garantieleistungen werden nicht ersetzt. Durch unsachgemäße, d.h. nicht der Bedienungsanleitung entsprechenden, Bedienung, verfällt jedweder Garantieanspruch.

Herstellereklärung

Tunturi New Fitness BV erklärt hiermit, dass das Produkt folgenden Normen und Richtlinien entspricht: EN 957 (HB), 89/336/EWG. Das Produkt trägt daher das CE-Kennzeichen.

01-2017

Tunturi New Fitness BV
Purmerweg 1
1311 XE Almere
The Netherlands

Haftungsausschluss

© 2017 Tunturi New Fitness BV
Alle Rechte vorbehalten.

Produkt und Handbuch können geändert werden. Die technischen Daten können ohne Vorankündigung geändert werden.

Indice

Rameur	28
Avertissements de sécurité	28
Description	29
Assemblage (fig. B)	29
Alimentation électrique (Fig. C)	29
Exercices	29
Instructions d'entraînement	29
Fréquence cardiaque	30
Comment ramer	31
Usage	31
Console (fig. D-1)	31
Explication des boutons	32
Explication des fonctions à l'écran	32
Fonctionnement	33
Programmes	33
Nettoyage et maintenance	34
Défauts et dysfonctionnements	34
Transport et rangement	35
Informations supplémentaires	35
Données techniques	36
Garantie	36
Déclaration du fabricant	36
Limite de responsabilité	36
Roeistrainer	37

Français

Ce manuel français est une traduction de la version anglaise. Notez que la version anglaise est en tête dans le contenu lorsque des différences sont trouvées.

Rameur

Bienvenue dans l'univers de Tunturi Fitness !
 Merci pour votre achat de cet élément d'équipement Tunturi. Tunturi offre toute une gamme d'équipements de fitness professionnels, notamment des vélos elliptiques, tapis de course, vélos d'appartement, rameurs et accessoires. Les équipements Tunturi sont parfaits pour toute la famille, quel que soit le niveau de forme de ses membres. Pour en savoir plus, visitez notre site Web www.tunturi.com

Avertissements de sécurité



AVERTISSEMENT

Lisez les avertissements de sécurité et les instructions. Le non respect des avertissements de sécurité et des instructions est une source de blessure et de dégâts de l'équipement. Conservez les avertissements de sécurité et les instructions pour référence ultérieure.



AVERTISSEMENT

Les systèmes de suivi de la fréquence cardiaque peuvent être inexacts. Un exercice excessif peut entraîner des blessures graves voire mortelles. Si vous vous sentez défaillir, interrompez immédiatement l'exercice.

- L'équipement est uniquement adapté à un usage domestique. L'équipement ne convient pas à un usage commercial.
- La durée d'utilisation maximum est limitée à 5 heures par jour.
- L'emploi de cet équipement par des enfants ou des personnes affectés d'un handicap physique, sensoriel, mental ou moteur, voire dont l'expérience ou les connaissances s'avèrent insuffisantes est une source de risques. Les personnes chargées de leur sécurité doivent leur fournir des instructions explicites ou superviser leur usage de l'équipement.
- Avant de commencer vos exercices, effectuez un bilan de santé auprès d'un médecin.
- Si vous êtes pris de nausées ou de vertiges ou sentez d'autres symptômes normaux pendant l'entraînement, interrompez immédiatement la session et consultez votre médecin.
- Afin d'éviter toutes douleurs et tensions musculaires, commencez vos séances par des échauffements et terminez-les par une récupération. N'oubliez pas de vous étirer après vos exercices.
- L'équipement est uniquement adapté à un usage intérieur. L'équipement ne convient pas à un usage extérieur.
- Utilisez l'équipement uniquement dans des environnements correctement ventilés. N'utilisez pas l'équipement dans des endroits exposés aux courants d'air afin de ne pas vous enrhumers.
- Utilisez l'équipement uniquement à une température ambiante entre 10 °C et 35 °C. Rangez l'équipement uniquement à une température ambiante entre 5 °C et 45 °C.
- N'utilisez et ne rangez pas l'équipement dans un environnement humide. L'humidité de l'air ne doit jamais dépasser 80 %.
- Utilisez l'équipement uniquement pour son usage prévu. N'utilisez pas l'équipement pour d'autres usages que ceux décrits dans le manuel.
- N'utilisez pas l'équipement si l'une de ses pièces est endommagée ou défectueuse. Si une pièce est endommagée ou défectueuse, contactez votre revendeur.

- Maintenez vos mains, vos pieds et les autres parties de votre corps à l'écart des pièces mobiles.
- Maintenez votre chevelure à l'écart des pièces mobiles.
- Portez des vêtements et des chaussures adaptés.
- Maintenez les vêtements, bijoux et autres objets à l'écart des pièces mobiles.
- Assurez-vous qu'une seule personne utilise l'équipement à la fois. L'équipement ne doit pas être utilisé par des personnes pesant plus de 135 kg (300 lbs).
- N'ouvrez pas l'équipement sans consulter votre revendeur.

Description

Votre rameur est un élément d'équipement de fitness stationnaire servant à simuler le mouvement de ramer sans exercer de pression excessive sur les jointures.

Assemblage (fig. B)



AVERTISSEMENT

- Si une pièce manque, contactez votre revendeur.
- Deux personnes au moins sont nécessaires pour transporter et déplacer l'équipement.



PRÉCAUTION

- Placez l'équipement sur une surface plane et ferme.
 - Placez l'équipement sur une base protectrice pour éviter d'endommager la surface du sol.
 - Prévoyez un dégagement d'au moins 100 cm autour de l'équipement.
- Le rameur est livré bloqué en position de rangement.
 - Faites glisser le cadre de support situé à l'avant du cadre vers le haut et vers l'avant.
 - Tirez le bouton de blocage vers le haut et poussez le cadre de support vers le bas du côté de la protection des rouleaux de la courroie de transmission.
 - Libérez le bouton de blocage et veillez à ce que le cadre de support soit bloqué en position de support.
 - Serrez toujours le bouton de blocage avant de commencer l'exercice.

Réglez le compteur dans l'angle adéquat pour l'exercice.

Alimentation électrique (Fig. C)

L'alimentation de l'appareil d'entraînement est externe. Reportez-vous à l'illustration pour situer l'entrée de l'alimentation de l'appareil d'entraînement.



NOTE

- Fixer le transformateur sur la achine avant de le brancher dans une prise murale.
- Toujours retirer le cordon d'alimentation lorsque la machine n'est pas en fonctionnement

Exercices

Un exercice doit être suffisamment léger mais prolongé. L'exercice aérobic repose sur l'amélioration de l'absorption maximum d'oxygène par le corps, améliorant à son tour l'endurance et la forme. Vous devez transpirer mais sans jamais être à bout de souffle durant l'exercice.

Pour atteindre et entretenir un niveau de forme basique, exercez-vous au moins 3 fois par semaine, par session de 30 minutes. Accroissez le nombre des sessions d'exercice pour améliorer votre niveau de forme. Il est profitable de combiner un exercice régulier et un régime sain. Une personne suivant un régime doit s'exercer au quotidien, au début 30 minutes ou moins pour chaque session afin d'accroître ensuite progressivement le temps d'exercice quotidien pour atteindre une heure. Commencez vos exercices à une vitesse lente et avec une faible résistance pour éviter de soumettre le système cardiovasculaire à une contrainte excessive. À mesure de l'amélioration de votre forme, accroissez progressivement la vitesse et la résistance. L'efficacité de votre exercice est mesurable en suivant votre fréquence cardiaque et votre pouls.

Instructions d'entraînement

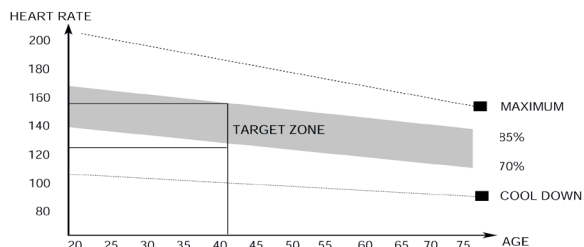
L'utilisation de votre appareil de fitness vous procurera plusieurs avantages : il vous permettra d'améliorer votre forme physique, de tonifier vos muscles et, associé à un régime hypocalorique, de perdre du poids.

Phase d'échauffement

Cette étape favorise la circulation du sang dans tout le corps et le bon fonctionnement des muscles. Elle réduit également le risque de crampes et de lésions musculaires. Il est conseillé de faire quelques exercices d'étirement, comme ceux qui sont indiqués ci-dessous. Chaque étirement doit être maintenu pendant environ 30 secondes. Ne forcez pas ou n'étirez pas excessivement un muscle. Si vous sentez qu'une position vous fait mal, ARRÊTEZ.

Phase d'exercice

C'est l'étape principale de votre entraînement. Après une utilisation régulière de l'appareil, vous sentirez que les muscles de vos jambes ont gagné en souplesse. Il est très important de maintenir un rythme régulier tout au long de la séance. Le rythme de travail doit être suffisant pour faire monter votre rythme cardiaque dans la zone cible indiquée sur le graphique ci-dessous.



Cette étape doit durer au moins 12 minutes, bien que l'on commence généralement à environ 15-20 minutes.

Phase de refroidissement

Cette étape a pour objectif de laisser votre système cardiovasculaire et vos muscles reprendre leur rythme normal. Il s'agit d'une répétition de l'exercice d'échauffement. Baissez le rythme et continuez pendant environ 5 minutes. Vous devez ensuite refaire les exercices d'étirement et souvenez-vous de ne pas forcer ou trop étirer un muscle dans une certaine position.

À mesure que vous améliorerez votre forme, vous ressentirez peut-être le besoin de vous entraîner plus longtemps ou de faire des entraînements plus poussés. Il est conseillé de s'entraîner au moins trois fois par semaine et, si possible, d'espacer les séances régulièrement tout au long de la semaine.

Tonification musculaire

Pour tonifier vos muscles à l'aide de l'appareil de fitness, vous devrez sélectionner une résistance assez élevée. Les muscles de vos jambes seront davantage sollicités et vous ne pourrez peut-être pas vous entraîner aussi longtemps que vous le voudriez. Si vous souhaitez également améliorer votre forme, vous devrez modifier votre programme d'entraînement. Entraînez-vous normalement pendant les phases d'échauffement et de refroidissement, mais vers la fin de l'exercice, augmentez la résistance en faisant travailler vos jambes davantage. Vous devrez réduire la vitesse pour maintenir votre rythme cardiaque dans la zone cible.

Perte de poids

Ici, le facteur important est l'effort que vous déployez. Plus vous entraînez longtemps et de manière soutenue, plus vous brûlerez de calories. C'est en réalité le même principe que pour l'entraînement d'amélioration de la forme ; la différence est l'objectif recherché.

Fréquence cardiaque

Mesure de la fréquence cardiaque (sangle thoracique de fréquence cardiaque)

La sangle thoracique de fréquence cardiaque assure la mesure de fréquence cardiaque la plus précise. La fréquence cardiaque est mesurée par un récepteur combiné à la sangle thoracique de fréquence cardiaque. Une mesure précise de la fréquence cardiaque nécessite des électrodes de sangle émettrice légèrement humides et en contact constant avec la peau. Si les électrodes sont trop sèches ou humides, la mesure de la fréquence cardiaque peut devenir moins précise.



AVERTISSEMENT

- Si vous portez un stimulateur cardiaque, consultez votre médecin avant d'utiliser une sangle thoracique de fréquence cardiaque.



PRÉCAUTION

- Si plusieurs dispositifs de mesure de la fréquence cardiaque sont proches les uns des autres, assurez-vous qu'ils sont au moins distants de 2 mètres.
- En présence d'un récepteur unique de fréquence cardiaque pour plusieurs émetteurs, assurez-vous qu'une seule personne avec un émetteur est à portée de transmission.



NOTE

- Portez toujours la sangle thoracique de fréquence cardiaque sous vos vêtements, en contact direct avec votre peau. Ne portez pas votre sangle thoracique de fréquence cardiaque par-dessus vos vêtements. Si vous portez la sangle thoracique de fréquence cardiaque sur vos vêtements, il n'y a pas de signal.
- Si vous réglez une fréquence cardiaque limite pour votre exercice, une alarme retentit dès qu'elle est dépassée.
- L'émetteur transmet la fréquence cardiaque à une console jusqu'à une distance de 1,5 mètre. Si les électrodes ne sont pas suffisamment mouillées, votre fréquence cardiaque ne s'affiche pas.
- Certaines fibres des vêtements (par ex. polyester, polyamide) créent de l'électricité statique qui peut empêcher la mesure précise de la fréquence cardiaque.
- Les téléphones portables, télévisions et autres appareils électriques créent un champ électromagnétique susceptible d'empêcher une mesure précise de la fréquence cardiaque.

Fréquence cardiaque maximum

(durant l'exercice)

La fréquence cardiaque maximum est la fréquence la plus élevée qu'une personne peut atteindre en toute sécurité sous la contrainte de l'exercice. La formule suivante sert à calculer la fréquence cardiaque maximum moyenne : $220 - \text{ÂGE}$ La fréquence cardiaque maximum varie d'une personne à l'autre.



AVERTISSEMENT

- Assurez-vous de ne pas dépasser votre fréquence cardiaque maximum durant l'exercice. Si vous appartenez à un groupe à risque, consultez un médecin.

Débutant 50-60% de fréquence cardiaque maximum

Adapté aux débutants, aux personnes suivant leur poids, aux convalescents et aux personnes ne s'exerçant pas depuis un certain temps. Exercez-vous au moins trois fois par semaine, par session de 30 minutes.




Avancé 60-70% de fréquence cardiaque maximum



Adapté aux personnes souhaitant améliorer et entretenir leur forme. Exercez-vous au moins trois fois par semaine, par session de 30 minutes.

Expert 70-80% de fréquence cardiaque maximum

Adapté aux personnes les plus en forme, habituées aux exercices d'endurance prolongés.

Comment ramer

	Prise d'eau Confortablement en avant avec le dos et les bras droits.
	Attaque Poussez avec les jambes en laissant les bras droits.
	Dégagé Tirer avec les bras et les jambes tout en basculant légèrement vers l'arrière sur le bassin.

	Retour sur l'avant Le haut du corps bascule vers l'avant au-dessus du bassin et se déplace vers l'avant.
	Prise d'eau Retour à la position de départ et début d'un nouveau mouvement.

Prise d'eau - Attaque

Commencez le mouvement confortablement installé en position avant et poussez fortement vers l'arrière avec les jambes tout en maintenant les bras et le dos droit.

Dégagé

Ramenez les bras vers le torse en passant au dessus des genoux et continuez le mouvement jusqu'à la fin en basculant légèrement en arrière sur le bassin.

Retour sur l'avant - Prise d'eau

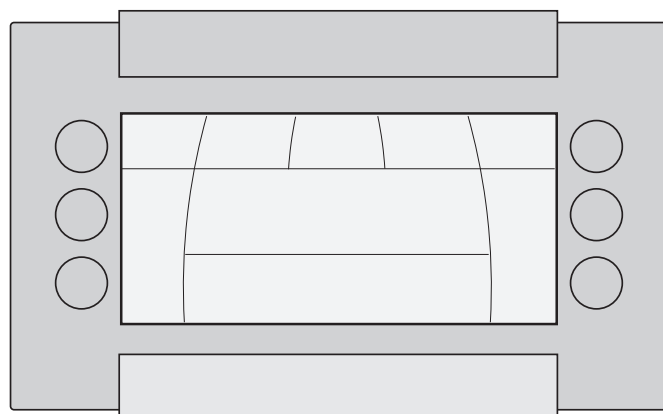
Revenez à la position de départ et recommencez.

Usage

Réglage de l'horloge

- Appuyez sur les boutons MODE et RESET sans les relâcher pendant 2 secondes pour réinitialiser le compteur.
- Appuyez sur le bouton UP ou DOWN pour régler l'horloge.

Console (fig. D-1)





PRÉCAUTION

- Maintenez la console à l'écart de la lumière directe du soleil.
- Séchez la surface de la console dès qu'elle est couverte de gouttes de sueur.
- Ne vous appuyez pas sur la console.
- Touchez l'affichage uniquement avec le bout du doigt. Assurez-vous de ne pas toucher l'affichage avec vos ongles ou des objets coupants.



NOTE

- La console passe en mode de veille si l'équipement n'est pas utilisé pendant 4 minutes.

Explication des boutons

Mode

- Sélection des valeurs souhaitées.

Cette touche se trouve également sur la télécommande de la barre d'exercice.

RESET (MISE À ZÉRO)

Mise à zéro des valeurs d'entraînement, fin de l'exercice et retour en mode prêt au démarrage

UP (Haut)

- Augmente le niveau de résistance pendant l'entraînement.
- Tourner le bouton rotatif dans le sens des aiguilles d'une montre pour augmenter la valeur

Ces touches se trouvent également sur la télécommande de la barre d'exercice.

Down (Bas)

- Réduit le niveau de résistance pendant l'entraînement.
- Tourner le bouton rotatif dans le sens contraire des aiguilles d'une montre pour diminuer la valeur.

Ces touches se trouvent également sur la télécommande de la barre d'exercice.

Recovery (RÉCUPÉRATION)

Mesure du rythme cardiaque de récupération

Start / stop

Démarrage et interruption de l'exercice

Touches de la barre de traction (fig. D-2)

Ces touches ne transfèrent que les courtes impulsions vers le compteur, ce dernier ne reconnaissant pas les pressions prolongées.

Si les touches de la barre de traction ne fonctionnent pas, vérifiez tout d'abord que l'appareil est relié à une prise. Après cela, réinitialisez la télécommande en appuyant sur les trois touches de la barre de traction en même temps pendant cinq secondes. Testez ensuite le fonctionnement des touches.

Sachez aussi qu'il y a une pile dans la barre. Si les touches ne fonctionnent pas, remplacez la pile et assurez-vous que la pile est insérée dans le bon sens. En cas d'usage domestique, une pile dure toutefois plusieurs années.



PRÉCAUTION

À la fin de l'exercice, remettez la barre de traction en place sur son support. Ne détachez jamais la barre de traction pendant l'exercice!

Explication des fonctions à l'écran

Strokes (vitesse)

Nombre de tractions par minutes. En outre, une colonne indiquant la vitesse se trouve dans le bas de l'écran.

Durée d'entraînement

00:00- 99:59 : mesure à 1 seconde

d'intervalle, h1:40-h9:59, mesure à 1 minute d'intervalle.

Rythme cardiaque d'entraînement Le symbole « coeur » clignote au rythme du battement cardiaque. Les symboles « flèche » de l'écran indiquent si le rythme cardiaque dépasse la limite supérieure ou inférieure réglée.

Distance de l'exercice (km)

0.00-99,99 km

Speed (temps mis pour parcourir 500 m, kmh) 0-9.59 / 500 m

Dépense énergétique (Kcal)

Évaluation de la dépense énergétique globale durant l'exercice, 0-9999 kcal

Horloge (Clock)

Horloge en temps réel

Thermomètre (Temp C)

Thermomètre de température ambiante, en degrés Celsius ou Fahrenheit

Hygromètre (Humidity %)

Pour mesurer l'humidité de la pièce 0-100 %

Affichage du numéro principal La valeur d'exercice sélectionnées est visible en numéros de grande taille au milieu du compteur ; les autres valeurs d'exercice sont affichées simultanément sur les écrans de chiffres de la ligne supérieure

Affichage cumulatif du rythme cardiaque Si l'utilisateur utilise la mesure du rythme cardiaque durant l'exercice, l'écran affiche le profil du rythme cardiaque durant l'exercice

Fonctionnement

Marche

- Branchez l'alimentation électrique : l'ordinateur se met sous tension et affiche tous les segments sur l'écran LCD pendant 2 secondes.
- Appuyer sur une touche pour mettre en marche la console en mode veille.

Réglage de l'horloge

- Appuyez sur les boutons MODE et RESET sans les relâcher pendant 2 secondes pour réinitialiser le compteur.
- Appuyez sur le bouton UP ou DOWN pour régler l'horloge.

Programmes

Entraînement en mode manuel

En mode manuel, vous pouvez régler à tout moment le niveau de résistance à l'aide du bouton de réglage.

- Vous pouvez commencer l'exercice en appuyant sur START / STOP. Réglez le niveau de résistance à l'aide du bouton de réglage.
- Vous pouvez commencer en paramétrant une valeur précise pour l'exercice. Appuyer sur la touche + ou - jusqu'à ce que le texte Manual s'inscrive sous l'écran de chiffres principal.
- Appuyer sur la touche MODE, ce qui vous permet d'accéder aux réglages des valeurs que vous pouvez déterminer.
- TIME = régler la durée souhaitée de votre exercice avec les touches +/- . La touche MODE vous permet de passer au réglage suivant.
- DISTANCE = régler la distance souhaitée de votre exercice avec les touches +/- . La touche MODE vous permet de passer au réglage suivant.
- KCAL = régler la valeur souhaitée pour votre dépense énergétique durant l'exercice avec les touches +/- , la touche MODE vous permet de passer au réglage suivant.
- PULSE = régler la valeur de limite cardiaque maximale pour la durée de l'exercice avec les touches +/- : l'écran affiche les symboles coeur et flèche vers le haut. Appuyer sur la touche MODE, ce qui vous permet d'accéder aux réglages de la limite cardiaque inférieure : l'écran affiche les symboles coeur et flèche vers le bas. Régler la limite cardiaque inférieure pour la durée de l'exercice avec les touches +/- . Si votre rythme cardiaque dépasse les limites fixées, le compteur l'indique en faisant clignoter la flèche de la limite concernée sur l'écran. Ensuite revenir au réglage

de la durée de l'exercice (TIME) en appuyant sur la touche MODE.

- Vous pouvez commencer immédiatement en appuyant sur la touche START/STOP. Commencer et régler le niveau de résistance durant l'exercice si nécessaire.
- Vous pouvez interrompre votre exercice en appuyant sur la touche START/STOP (le compteur affiche le texte Over). Les informations du programme sont conservées durant 5 minutes dans la mémoire du compteur, vous pouvez donc continuer votre exercice en appuyant de nouveau sur START/STOP.
- Vous pouvez arrêter votre exercice en appuyant sur la touche RESET lorsque le compteur est en mode pause.
- Si vous vous êtes fixé une valeur précise, le compteur émet un signal sonore et l'affichage de la valeur se met à clignoter une fois que vous avez atteint la valeur souhaitée. Mettre l'affichage à zéro en appuyant d'abord sur la touche START / STOP, puis sur la touche RESET.

Exercice target HR

(FRÉQUENCE CARDIAQUE CONSTANTE)

En mode Target HR, vous pouvez régler la fréquence cardiaque constante souhaitée; pendant l'exercice, l'appareil veillera automatiquement à maintenir la fréquence déterminée, quel que soit la vitesse.

- Appuyer sur la touche + ou - jusqu'à ce que le texte Target HR s'inscrive sous l'écran de chiffres principal.
- Réglez le niveau de fréquence cardiaque constante souhaité à l'aide de la touche MODE. L'écran affiche le texte PULSE, ainsi que les symboles coeur et flèche vers le haut et flèche vers le bas. Vous pouvez régler votre niveau de fréquence cardiaque constante avec les touches +/- . La touche MODE vous permet de passer au réglage suivant.
- TIME = régler la durée souhaitée de votre exercice avec les touches +/- . La touche MODE vous permet de passer au réglage suivant.
- DISTANCE = régler la distance souhaitée de votre exercice avec les touches +/- . La touche MODE vous permet de passer au réglage suivant.
- KCAL = régler la valeur souhaitée pour votre dépense énergétique durant l'exercice avec les touches +/- , la touche MODE vous permet de revenir au réglage de la durée (TIME) de l'exercice.
- Commencez l'exercice en appuyant sur la touche START/STOP. Commencer à pédaler et régler le niveau de fréquence cardiaque constante durant l'exercice si nécessaire.
- Vous pouvez interrompre votre exercice en appuyant sur la touche START/STOP (le compteur affiche le texte Over). Les informations du programme sont conservées durant 5 minutes dans la mémoire du compteur, vous pouvez donc continuer votre exercice en appuyant de nouveau sur START/STOP.

- Arrêter l'exercice en appuyant sur la touche RESET lorsque le compteur est en mode pause.
- Si vous vous êtes fixé une valeur précise, le compteur émet un signal sonore et l'affichage de la valeur se met à clignoter une fois que vous avez atteint la valeur souhaitée. Mettre l'affichage à zéro en appuyant d'abord sur la touche START / STOP, puis sur la touche RESET.

Profils d'entraînement

- Une fois le compteur en marche, appuyer sur une touche Up / Down jusqu'à ce que le compteur affiche le code du profil (P1-P8) ainsi que le mode du profil. Tous les profils sont des profils de puissance constante: plus vous ramez vite, plus vous progressez dans votre parcours. La durée des tous les profils préprogrammés est de 20 minutes.
- Sélectionner le profil souhaité avec les touches Up / Down . Appuyer sur la touche MODE pour accéder aux réglages de la durée du profil d'entraînement : les touches Up / Down permettent de régler la durée de 10:00 à 90:00 minutes par échelons de 5 minutes.
- Commencez l'exercice en appuyant sur la touche START/STOP. Commencer à pédaler. Durant l'exercice, vous pouvez modifier le niveau de résistance de la partie que profil que vous êtes en train d'effectuer en utilisant les touches Up / Down : la touche + augmente la résistance, la touche - la diminue.
- Vous pouvez interrompre votre exercice en appuyant sur la touche START/STOP (le compteur affiche le texte Over). Les informations du programme sont conservées durant 5 minutes dans la mémoire du compteur, vous pouvez donc continuer votre exercice en appuyant de nouveau sur START/STOP.

Vous pouvez arrêter votre exercice en appuyant sur la touche RESET lorsque le compteur est en mode pause. Si vous effectuez le profil complet, le compteur émet un signal sonore et la valeur de l'écran se met à clignoter une fois l'objectif atteint. Mettre l'affichage à zéro en appuyant d'abord sur la touche START / STOP, puis sur la touche RESET.

Recovery

MESURE DU RYTHME CARDIAQUE DE RÉCUPÉRATION

Mesurez votre rythme cardiaque de récupération à la fin de l'exercice.

- Appuyer sur la touche RECOVERY pour accéder à la mesure du rythme cardiaque de récupération. L'écran affiche le texte Recovery.
- La mesure démarre automatiquement et dure deux minutes.
- À la fin de la période de mesure, l'écran affiche le rapport de récupération du rythme cardiaque en pourcentage. Plus ce chiffre est faible, meilleure est votre forme physique. Notez que votre résultat

est en rapport avec votre niveau cardiaque à l'instant du démarrage de la mesure et que votre résultat est personnel et donc non comparable avec les éventuels résultats d'autres personnes. Pour améliorer la fiabilité de la mesure du pouls de récupération, essayez de toujours procéder de manière pratiquement identique; commencez la mesure à un niveau cardiaque similaire.

- Pour quitter la fonction de mesure du rythme cardiaque de récupération et revenir à l'écran général, appuyer sur la touche RESET ; le compteur revient automatiquement en mode d'affichage général une minute après la fin de la mesure.

Nettoyage et maintenance

Cet équipement ne nécessite aucune maintenance spéciale. L'équipement n'a besoin d'aucune calibration après son assemblage, son utilisation et son entretien conformément aux instructions.



AVERTISSEMENT

- Avant le nettoyage et la maintenance, retirez l'adaptateur.
- N'utilisez aucun solvant pour nettoyer l'équipement.
- Nettoyez l'équipement avec un chiffon doux et absorbant après chaque usage.
- Vérifiez régulièrement le serrage de tous les écrous et vis.
- Si nécessaire, lubrifiez les joints. Si nécessaire, nettoyez les chevilles intérieures des barres de sorte que le siège bouge le plus facilement et le plus silencieusement possible. Le cas échéant, vous pouvez améliorer le déplacement du siège en mettant de la paraffine sur la surface des barres.

Défauts et dysfonctionnements

Malgré un contrôle continu de la qualité, des défauts ou des dysfonctionnements peuvent être occasionnés par des composants individuels. La plupart du temps, il vous suffit de remplacer la pièce défectueuse.

- Si l'équipement ne fonctionne pas correctement, contactez immédiatement le revendeur.
- Fournissez le numéro de modèle et le numéro de série de l'équipement au revendeur. Mentionnez la nature du problème, les conditions d'usage et la date d'achat.

Transport et rangement



AVERTISSEMENT

- Avant le transport et le stockage, retirez l'adaptateur.
- Deux personnes au moins sont nécessaires pour transporter et déplacer l'équipement.

Il est important de suivre ces instructions de déplacement. Autrement, vous risqueriez de fatiguer votre dos ou de créer des situations dangereuses.

Pour déplacer l'appareil, mettez-vous derrière l'appareil. Saisissez l'appareil par le rail et par le siège. Soulevez l'appareil de façon à ce qu'il repose sur ses roulettes de transport dans la partie avant du châssis. Déplacez l'appareil et reposez par terre en vous tenant tout le temps derrière l'appareil.

Transporter l'appareil avec l'attention extrême au-dessus des surfaces inégales, par exemple au-dessus d'une marche. L'appareil ne doit jamais être transporté dans les escaliers à l'aide des roulettes de transport, au lieu de cela il doit être porté. Le déplacement de l'équipement peut abîmer certains revêtements de sol, par ex. les parquets en bois. Dans ce cas, veillez à protéger le sol.

Pour lui garantir un fonctionnement impeccable, rangez votre appareil dans un endroit sec, sans variations de température importantes, et protégez-le contre les poussières.

Pour minimiser la tension sur le mécanisme de la résistance, nous recommandons que le bouton de réglage s'est mis à en 1 après chaque session.

Vous pouvez gagner de l'espace en rangeant votre appareil R50 de la manière suivante:

- Desserrez le bouton de blocage situé dans le bas du cadre de support, poussez le cadre de support entièrement vers le bas et resserrez le bouton de blocage.
- Ouvrez le verrou de blocage situé le côté gauche en poussant la languette sur le côté. Soulevez le cadre de support de la même façon.



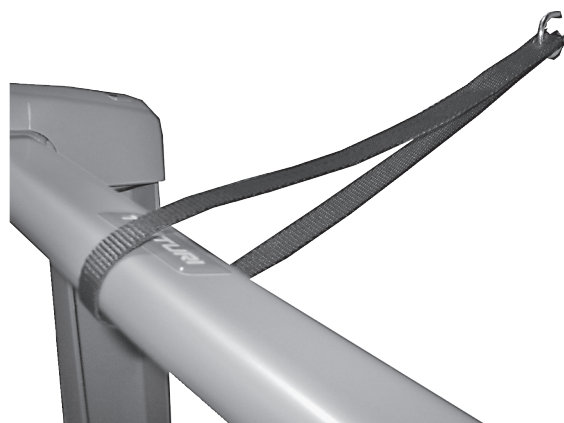
- Baissez précautionneusement le cadre de support entre les barres. Veillez à bien bloquer le cadre de support.
- Accrochez au tube transversal de l'arrière du rameur et levez l'appareil sur les pieds du support vertical.

Rangez l'appareil contre un mur de sorte que le cadre de support ne soit pas dans le chemin.



PRÉCAUTION

L'appareil est livré avec un anneau et un crochet à l'aide desquels le rameur peut être solidement bloqué en position de rangement. Choisissez un lieu de rangement adapté près d'un mur et fixez le crochet au mur à la bonne hauteur. Soulevez le rameur à hauteur du crochet. Placez l'anneau autour du tube transversal de l'arrière de l'appareil et accrochez l'anneau au crochet. N'utilisez pas le rameur quand il est en position de rangement!



Informations supplémentaires

Élimination des emballages

Les réglementations gouvernementales nous demandent de réduire la quantité de matériaux déposés dans les décharges. C'est pour cela que nous faisons appel à votre responsabilité et vous demandons de déposer les emballages dans des centres de recyclage publics.

Élimination du produit

Chez Tunturi, nous espérons que vous profiterez longtemps de votre appareil de fitness. Cependant, nous savons bien qu'un jour ou l'autre votre machine arrivera au terme de sa vie utile. Selon la directive européenne sur les DEEE, vous êtes responsable de vous séparer correctement de votre appareil de fitness en le déposant dans un site public agréé de récupération des déchets.

Données techniques

Paramètre	Unité de mesure	Valeur
Longueur	cm inch	197 77,6
Largeur	cm inch	50 19.7
Hauteur	cm inch	66 26
Poids	kg lbs	46.4 102.3
Poids maxi. utilisateur	kg lbs	135 300
Adaptateur	V Ma.	6V-DC 500 Ma.

Garantie

Conditions de garantie

Le consommateur dispose des droits légaux accordés par la législation nationale applicable au commerce des produits de consommation courante et cette garantie ne limite ces droits en aucun cas. La « Garantie du propriétaire » est valable uniquement si l'équipement est utilisé dans l'environnement correspondant à celui déterminé par Tunturi New Fitness BV. L'environnement d'utilisation de chaque appareil est mentionné dans le mode d'emploi fourni avec l'appareil en question.

Conditions de garantie

Les conditions de garantie sont applicables à compter de la date d'achat et peuvent varier selon les pays. Demandez conseil à votre revendeur.

Étendue de la garantie

En aucun cas Tunturi New Fitness BV, le revendeur ou le distributeur Tunturi ne répondra des éventuels dommages spéciaux, indirects, secondaires ou consécutifs, de quelque nature que ce soit, liés à l'utilisation de ou à l'inaptitude à utiliser cet équipement.

Restrictions de garantie

La garantie couvre les défauts de fabrication et de matériaux dans un équipement d'origine, sorti d'usine et conditionné par Tunturi New Fitness BV. La garantie couvre uniquement les défauts apparaissant lors d'une utilisation normale et conforme aux instructions du manuel du propriétaire, à condition que les instructions de montage,

de maintenance et d'utilisation établies par Tunturi New Fitness BV aient été respectées. Tunturi New Fitness BV et les revendeurs Tunturi ne répondent pas des défauts occasionnés par des conditions indépendantes de leur volonté. La garantie est applicable uniquement au premier acheteur et est valable uniquement dans les pays où Tunturi New Fitness BV dispose d'un distributeur agréé. La garantie ne s'étend pas aux équipements de fitness ou aux pièces qui ont été modifiées sans l'autorisation de Tunturi New Fitness BV. La garantie ne s'applique pas aux défauts provenant d'une usure normale, d'une utilisation inadaptée, d'une utilisation dans des conditions non prévues par le fabricant, de la corrosion ou d'un dommage intervenu lors du chargement ou du transport.

La garantie ne couvre pas les sons ou les bruits émis par l'équipement s'ils ne gênent pas son utilisation et s'ils ne sont pas provoqués par un dysfonctionnement. La garantie ne couvre pas non plus les mesures de maintenance, telles que le nettoyage, la lubrification ou la vérification normale des pièces, ni les actions que le client peut effectuer lui-même et qui n'exigent pas particulièrement de monter/ démonter l'équipement. Ces actions sont par exemple le changement des compteurs, des pédales ou autres pièces similaires faciles à changer. Seules les réparations sous garantie effectuées par un revendeur ou par le distributeur agréé Tunturi seront prises en charge. Le non-respect des instructions décrites dans le Manuel de l'Utilisateur entraînera l'annulation de la garantie.

Déclaration du fabricant

Tunturi Fitness BV déclare que le produit est conforme aux directives et normes suivantes : EN 957 (HB), 89/336/CEE. Ce produit porte donc la marque CE.

01-2017

Tunturi New Fitness BV
Purmerweg 1
1311 XE Almere
Pays-Bas

Limite de responsabilité

© 2017 Tunturi New Fitness BV
Tous les droits réservés.

Le produit et le manuel sont sujets à modifications. Les spécifications peuvent changer sans préavis.

Inhoud

Veiligheidswaarschuwingen	37
Beschrijving	38
Assemblage (fig. B)	38
Voeding (Fig. C)	38
Trainingen	38
Instructies	38
Hoe te roeien	40
Gebruik	40
Console (Fig. D-1)	40
Werking van de knoppen	41
Uitleg van de weergavefuncties	41
Bediening	41
Programma's	42
Reiniging en onderhoud	43
Defecten en storingen	43
Transport en opslag	43
Aanvullende informatie	44
Technische gegevens	44
Garantie	44
Verklaring van de fabrikant	45
Disclaimer	45
Remo	46

Nederlands

Deze Nederlandse handleiding is een vertaling van de Engelse tekst. Aan deze vertaling kunnen geen rechten ontleend worden. De originele Engelse tekst blijft leidend.

Roeistrainer

Welkom in de wereld van Tunturi Fitness!
Hartelijk dank voor uw aankoop van dit Tunturi-toestel. Tunturi biedt een grote verscheidenheid aan professionele toestellen zoals crosstrainers, loopbanden, fietstrainers, roeimachines en accessoires. Het Tunturi-toestel is geschikt voor de hele familie, onafhankelijk van de conditie. Meer informatie vindt u op de website www.tunturi.com

Veiligheidswaarschuwingen



WAARSCHUWING

Lees de veiligheid-waarschuwingen en de instructies. Het niet opvolgen van de veiligheid-waarschuwingen en de instructies kan persoonlijk letsel of beschadiging van het toestel veroorzaken. Bewaar de veiligheid-waarschuwingen en instructies voor toekomstig gebruik.



WAARSCHUWING

Hartslag-bewakingssystemen kunnen onnauwkeurig zijn. Overmatig trainen kan leiden tot ernstig letsel of de dood. Als u zich duizelig voelt, stop dan onmiddellijk met trainen.

- Het toestel is uitsluitend geschikt voor huishoudelijk gebruik. Het toestel is niet geschikt voor commercieel gebruik.
- Het maximum gebruik is beperkt tot 5 uur per dag.
- Het gebruik van dit toestel door kinderen of personen met fysieke, sensorische, geestelijke of motorische handicaps, of met gebrek aan ervaring en kennis kan gevaar veroorzaken. De personen die verantwoordelijk zijn voor hun veiligheid moeten uitdrukkelijke instructies geven of toezicht houden op het gebruik van het toestel.
- Laat uw gezondheid door een arts controleren voordat u met uw training begint.
- Als u misselijkheid, duizeligheid of andere abnormale symptomen ervaart, stop dan onmiddellijk met uw training en raadpleeg een arts.
- Om spierpijn en te zware belasting te voorkomen, moet u elke training beginnen met een warming-up en eindigen met een cooling-down. Vergeet niet om uw spieren te strekken aan het einde van de training.
- Het toestel is uitsluitend geschikt voor gebruik binnenshuis. Het toestel is niet geschikt voor gebruik buitenshuis.
- Gebruik het toestel alleen in een omgeving met voldoende ventilatie. Gebruik het toestel niet in een tochtige omgeving om geen kou te vatten.
- Gebruik het toestel alleen in een omgeving met een omgevingstemperatuur tussen 10 °C en 35 °C. Berg het toestel alleen op bij een omgevingstemperatuur tussen 5 °C en 45 °C.
- Gebruik het toestel niet in een vochtige omgeving. Berg het toestel niet op in een vochtige omgeving. De luchtvochtigheid mag nooit meer zijn dan 80%.
- Gebruik het toestel alleen voor het doel waarvoor het gemaakt is. Gebruik het toestel niet voor andere doelstellingen dan beschreven in de handleiding.
- Gebruik het toestel niet als een onderdeel is beschadigd of niet goed werkt. Raadpleeg uw dealer als een onderdeel is beschadigd of niet goed werkt.

- Houd uw handen, voeten en andere lichaamsdelen uit de buurt van de bewegende delen.
- Houd uw haar uit de buurt van de bewegende delen.
- Draag geschikte kleding en schoenen.
- Houd kleding, sieraden en andere voorwerpen uit de buurt van de bewegende delen.
- Zorg ervoor dat het toestel slechts door één persoon tegelijk wordt gebruikt. Het toestel mag niet worden gebruikt door personen die meer dan 135 kg (300 lbs) wegen.
- Maak het toestel niet open zonder eerst uw dealer te raadplegen.

Beschrijving

Uw roeitrainer is een stationair fitnessstoestel dat wordt gebruikt voor het nabootsen van roeien zonder dat de gewrichten te veel belast worden.

Assemblage (fig. B)



WAARSCHUWING

- Raadpleeg uw dealer als een onderdeel ontbreekt.
- Draag en verplaats het toestel met minstens twee personen.



VOORZICHTIG

- Zet het toestel op een stevige, vlakke ondergrond.
- Zorg voor een beschermende laag onder het toestel om schade aan het vloeroppervlak te voorkomen.
- Houd rondom de apparatuur ten minste een bewegingsruimte van 100 cm.

- De roeimachine wordt in de opslagpositie vervoerd en geleverd.
- Duw het zitje achteruit.
- Duw de voorste buis die op het frame geplooid is omhoog en naar voren.
- Trek de vergrendelingspin omhoog en duw het voorste frame tegelijkertijd naar beneden met de huls van het treksnoer.
- Laat de bevestigingspin los en zorg ervoor dat het voorste frame zich in een gesloten voorwaartse positie bevindt.
- Span de vergrendelingspin altijd goed aan voor u met de oefening begint.

Pas de stand van de monitor aan zodat u die tijdens de oefening goed kunt zien.

Voeding (Fig. C)

De trainer werkt op stroom van een extern voedingsnet. Op de illustratie wordt de plaats van de aansluiting op de trainer weergegeven.



LET OP

- Sluit de adapter eerst aan op de trainer voordat u deze aansluit op de wandcontactdoos.
- Verwijder altijd de stroomkabel wanneer de trainer niet in gebruik is.

Trainingen

De training moet licht genoeg zijn, maar wel langdurig. Aerobische training is gebaseerd op verbetering van de maximale zuurstofopname van het lichaam, die dan het uithoudingsvermogen en de conditie weer verbetert. U moet tijdens de training wel transpireren, maar u mag niet buiten adem raken.

Voor het bereiken en in stand houden van een basisconditie moet u minstens drie keer per week steeds 30 minuten trainen. Verhoog het aantal trainingssessies ter verbetering van uw conditie. Het is de moeite waard om regelmatige lichaamsbeweging met gezonde voeding te combineren. Iemand die zich goed aan een dieet houdt, zou elke dag moeten trainen te beginnen met 30 minuten of korter, en de dagelijkse trainingsduur geleidelijk opvoeren tot één uur. Begin uw training bij een lage snelheid en een lage weerstand om te voorkomen dat uw hart en bloedvaten te sterk belast worden. Naarmate uw conditie verbetert, kunnen snelheid en weerstand geleidelijk worden verhoogd. De doelmatigheid van uw training kan worden gemeten door uw hartslag.

Instructies

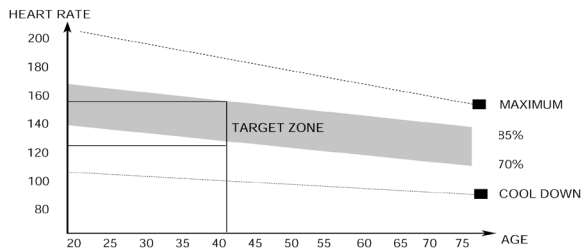
Het gebruik van dit fitness apparaat biedt meerdere voordelen: u verbetert uw fysieke conditie, u versterkt uw spieren en u valt in combinatie met een caloriearm dieet af.

De warming-up

In deze fase wordt uw bloedsomloop gestimuleerd voor een juiste werking van de spieren. Tevens wordt het risico op kramp en spier-letsel verminderd. Wij raden u aan enkele stretch oefeningen te doen, zoals hieronder beschreven. Houd elke stretch oefening ongeveer 30 seconden vol. Forceer uw spieren niet bij het stretchen. STOP als het pijn doet

De training fase

Dit is de fase waarin u de meeste inspanning levert. Na regelmatig gebruik worden de spieren in uw benen flexibeler. Het is in deze fase zeer belangrijk dat u een gelijkmatig tempo aanhoudt. De snelheid moet voldoende zijn om uw hartslag te laten stijgen naar de doel zone die in de onderstaande grafiek te zien is.



Deze fase moet minimaal 12 minuten duren, maar de meeste mensen beginnen met ongeveer 15-20 minuten.

De cooling down

In deze fase ontspant u uw cardiovasculaire systeem en spieren. Dit is een herhaling van de warming-up training. Verlaag dus uw tempo en ga ongeveer 5 minuten door. Herhaal nu de stretch-oefeningen. Forceer uw spieren niet tijdens het stretchen. Naarmate u fitter wordt, moet u langer en harder trainen. Het is raadzaam minstens drie keer per week te trainen en zo nodig uw oefeningen gelijkmatig over de week te verspreiden.

Spierversteviging

Als u uw spieren wilt verstevigen met behulp van dit fitnessapparaat, stelt u de weerstand in op hoog. Zo komt er meer spanning op uw beenspieren. Mogelijk kunt u niet zo lang trainen als u zou willen. Als u ook uw conditie wilt verbeteren, moet u het trainingsprogramma aanpassen. Tijdens de warming-up en cooling-down traint u zoals normaal, maar tegen het eind van de trainingsfase verhoogt u de weerstand zodat uw benen harder moeten werken. Verlaag hierbij de snelheid zodat uw hartslag in de doelzone blijft.

Gewichtverlies

Hierbij is het van belang hoeveel inspanning u levert. Hoe harder en langer u werkt, hoe meer calorieën u verbrandt. In feite is dit hetzelfde als wanneer u zou trainen om uw conditie te verbeteren. Het doel is alleen anders.

Hartslagmeting (hartslagborstband)

De meest nauwkeurige hartslagmeting wordt bereikt met een hartslagborstband. De hartslag wordt gemeten met een hartslagontvanger in combinatie met een band die de hartslag verzendt. Voor een nauwkeurige hartslagmeting moeten de elektroden op de borstband enigszins vochtig zijn en de huid constant aanraken.

Bij te droge of te natte elektroden kan de hartslagmeting minder nauwkeurig worden.



WAARSCHUWING

Als u een pacemaker hebt, moet u het eerst met uw dokter bespreken voordat u een hartslagborstband gebruikt.



VOORZICHTIG

- Als er verscheidene hartslagmeetapparaten naast elkaar staan, zorg er dan voor dat de tussenafstand minstens 2 meter is.
- Als er slechts één hartslagontvanger en verscheidene hartslagzenders zijn, zorg dan dat er slechts één persoon met een zender in het zendbereik is.



LET OP

- Draag de hartslagborstband altijd onder uw kleding, direct op uw huid. Draag de hartslagborstband niet boven uw kleding. Als u de hartslagborstband boven uw kleding draagt, zal er geen signaal komen.
- Als u een hartslaglimiet hebt ingesteld voor uw training, klinkt er een alarm wanneer deze wordt overschreden.
- De zender verzendt de hartslag naar de console tot over een afstand van 1,5 meter. Als de elektroden niet vochtig zijn, verschijnt de hartslag niet op de display.
- Sommige vezels in kleding (bijv. polyester, polyamide) produceren statische elektriciteit die een nauwkeurige hartslagmeting kan hinderen.
- Mobiele telefoons, televisies en andere elektrische apparaten creëren een elektromagnetisch veld dat een nauwkeurige hartslagmeting kan hinderen.

Maximale hartslag (tijdens de training)

De maximale hartslag is de hoogste hartslag die iemand veilig kan bereiken door de belasting van de training. De volgende formule wordt gebruikt voor het berekenen van de gemiddelde maximale hartslag: $220 - \text{LEEFTIJD}$. De maximale hartslag varieert van persoon tot persoon.



WAARSCHUWING

- Zorg ervoor dat u tijdens uw training niet boven uw maximale hartslag komt. Als u bij een risicogroep hoort, moet u een arts raadplegen.

Beginner

50-60% van de maximale hartslag

Geschikt voor beginners, mensen die willen afvallen, herstellende patiënten en personen die lange tijd niet getraind hebben. Train minstens drie keer per week, 30 minuten per keer.

Gevorderd

60-70% van de maximale hartslag

Geschikt voor personen die hun conditie willen verbeteren en in stand houden. Train minstens drie keer per week, 30 minuten per keer.

Expert

70-80% van de maximale hartslag

Geschikt voor de fitste personen die gewend zijn aan langdurige duurtraining.

Hoe te roeien

	<p>Catch</p> <p>Schuif de zitting naar voren en houd hierbij uw armen gestrekt en uw rug recht.</p>
	<p>Doorhalen</p> <p>Duw uw benen van u af en houd hierbij uw armen gestrekt.</p>
	<p>Afmaken.</p> <p>Trek uw armen over uw knieën naar u toe. Kantel uw bekken hierbij licht..</p>
	<p>Recovery</p> <p>Kantel uw bekken terug en schuif de zitting naar voren</p>
	<p>Catch</p> <p>Ga terug naar de beginpositie en herhaal deze beweging.</p>

Catch - Doorhalen

Schuif de zitting naar voren en duw uw benen van u af, waardoor u zichzelf afzet. Houd uw armen gestrekt en uw rug recht.

Afmaken

Trek uw armen over uw knieën naar u toe. Kantel uw bekken hierbij licht.

Recover - Catch

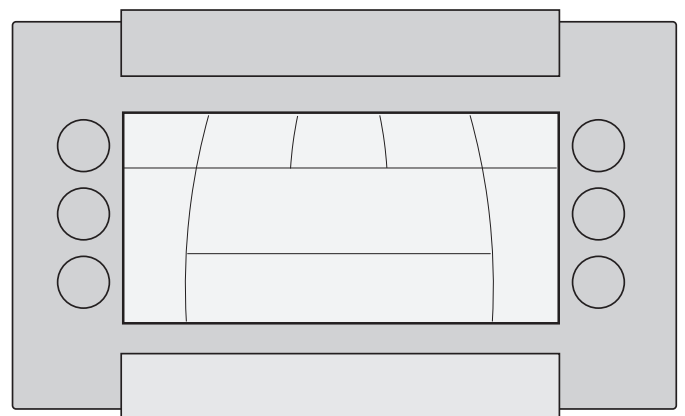
Ga terug naar de beginpositie en herhaal deze beweging.

Gebruik

Instellen van de klok

- Houd de MODE-knop en de RESET-knop 2 seconden ingedrukt om de meter te resetten.
- Druk op de UP-knop of de DOWN-knop om de klok in te stellen.

Console (Fig. D-1)



VOORZICHTIG

- Houd de console uit de buurt van direct zonlicht.
- Droog het oppervlak van de console wanneer het met zweetdruppels is bedekt.
- Leun niet op de console.
- Raak de display alleen met uw vingertop aan. Raak de display niet aan met uw nagels of een scherp voorwerp.



LET OP

- De console gaat naar standby wanneer het toestel gedurende 4 minuten niet wordt gebruikt.

Werking van de knoppen

Mode*

Instelling van de streefwaarden. Dezelfde toets vindt u ook op de afstandsbediening van de trekstang.

Reset

Op nul zetten van de trainingswaarden, beëindigen van de training en terug naar de uitgangspositie.

Up / Down*

Instelling van de streefwaarden, intensiteitinstelling: weerstand / hartslag vermeerderen: met de + knop; weerstand / hartslag verminderen: met de - knop. Dezelfde toetsen vindt u ook op de afstandbediening van de trekstang.

Recovery

Metten van de conditiehartslog.

Start / Stop

Begin en einde van de training.

*Dezelfde toets vindt u ook op de afstandsbediening van de trekstang.

Toetsen van de trekstang (fig. D-2)

Het toestel moet aangesloten zijn opdat de toetsen van de trekstang zouden kunnen werken. Deze toetsen brengen slechts korte stroomstoten over naar de teller, want die herkent geen langere stroomstoten.

Indien de toetsen van de trekstang niet werken, gaat u vooreerst na of het toestel aangesloten is op een stopcontact. Daarna initialiseert u de afstandsbesturing opnieuw door gedurende vijf seconden tegelijkertijd op de drie toetsen van de trekstang te drukken. Test vervolgens of de toetsen werken.

Bedenk ook dat er een batterij in de stang zit. Indien de toetsen niet werken, vervang dan de batterij en vergewis u ervan dat de batterij in de juiste richting geplaatst is.

Voor gebruik thuis kan een batterij evenwel verschillende jaren gebruikt worden.



VOORZICHTIG

- Plaats na afloop van de oefening de trekstang op zijn plaats in de houder. Maak de trekstang nooit los tijdens de oefening!

Uitleg van de weergavefuncties

Strokes (treksnelheid/min.)

Het aantal trekbewegingen per minuut; er is ook een balk onderaan de display die de treksnelheid aangeeft.

Trainingstijd

00:00 – 99:59 meting per seconde; h1:40 – h9:59 meting per minuut.

Hartslag gedurende de training Het hartsymbool knippert met dezelfde snelheid als de gemeten hartslag. De pijlen in het display geven aan wanneer de hartslag de van tevoren ingestelde boven- of ondergrens overschrijdt.

Trainingsafstand (km)

0.00 – 99.99 km.

Speed (timer voor een afstand van 500 m, kmu) tijd 0-9.59/500 m

Energieverbruik (Kcal)

Schatting van het totaal energieverbruik gedurende de training, 0 – 9999 kcal

Tijd (Clock)

Werkelijke tijd

Temperatuurmeter (Temp C)

Meting van de kamertemperatuur in Celsius.

Vochtigheidsmeter (Humidity %)

Meting van de vochtigheidsgraad in de kamer, 0 – 100%

Display van de hoofdwaarde

De gekozen trainingswaarde staat met grote nummers midden op de monitor; de overige trainingswaarden kunnen tegelijkertijd gevolgd worden op bovenste regel van de monitor.

Cumulatieve hartslagdisplay

Indien bij de training een hartslagprogramma gebruikt wordt, geeft de display het profiel weer dat gedurende de hartslag training gevormd wordt.

Bediening

Inschakelen

- Steek de stekker in het stopcontact. De computer start op en toont gedurende 2 seconden alle onderdelen op het LCD-scherm.
- Wanneer het apparaat zich in de slaapmodus bevindt, drukt u op een willekeurige toets op de console om het apparaat in te schakelen.

Instellen van de klok

- Houd de MODE-knop en de RESET-knop 2 seconden ingedrukt om de meter te resetten.
- Druk op de UP-knop of de DOWN-knop om de klok in te stellen.

Programma's

Manual

Bij handmatige instelling van het trainingsniveau kan het weerstandsniveau bijgesteld worden gedurende de training met behulp van de afstelknop.

- Er kan direct met de training begonnen worden door op de START / STOP knop te drukken. Stel het weerstandsniveau in tijdens de training door op de afstelknop te drukken.
- De training kan ook begonnen worden met het instellen van de streefwaarden voor de training. Druk op de + /- knoppen totdat onder het hoofdnummerdisplay het woord Manual verschijnt.
- Druk vervolgens op de MODE –knop, waarna de streefwaarden ingesteld kunnen worden.
- IME = instellen van de gewenste duur van de training met behulp van de Up / Down -knoppen. Met de MODE –knop door naar de volgende instelling.
- DISTANCE = instellen van de gewenste afstand voor de training met behulp van de Up / Down -knoppen. Met de MODE –knop door naar de volgende instelling.
- KCAL = instellen van het gewenste energieverbruik voor de training met behulp van de Up / Down -knoppen. Met de MODE –knop door naar de volgende instelling.
- PULSE = instellen van de bovenwaarde voor de hartslag gedurende de training met behulp van de Up / Down -knoppen: op de display ziet men dan een hart en een pijl omhoog. Met de MODE –knop door naar de instelling van de onderwaarde voor de hartslag gedurende de training: op de display ziet men dan een hart en een pijl omlaag. Stel de waarde in voor de ondergrens van de hartslag gedurende de training met behulp van de Up / Down knoppen. Indien uw hartslagwaarde buiten de gestelde grenzen komt, geeft de monitor dit aan door een knipperende pijl behorende bij de overschreden grens. Met de MODE –knop terug naar de trainingstijd (TIME) instelling.
- U kunt de training ook beginnen door de START / STOP –knop in te drukken. Begin en stel indien nodig het weerstandsniveau in gedurende de training.
- U kunt de training onderbreken door de START / STOP –knop in te drukken (op de display van de monitor verschijnt dan de tekst Over). De gegevens van het programma blijven 5 minuten in het geheugen van de monitor, zodat u met

de onderbroken training verder kunt gaan door nogmaals op de START / STOP –knop te drukken.

- U kunt ophouden met de training vanuit de onderbrekingsfase door op de RESET –knop te drukken.
- Indien de vooraf ingestelde streefwaarden bereikt worden, geeft de monitor een geluidssignaal en de display begint te knipperen wanneer de streefwaarde bereikt is. Stel de display op nul door het indrukken van de START / STOP –knop en vervolgens de RESET –knop.

Streefwaarde HR

(CONSTANTE HARTSLAG)

Voor Target HR-oefeningen stelt u het gewenste standaard-hartslagniveau in; tijdens de oefening handhaaft het toestel automatisch het ingestelde hartslagniveau, ongeacht de snelheid waarmee de oefening wordt uitgevoerd.

- Druk op de knoppen met Up / Down toetsen totdat onder het hoofdnummerdisplay de tekst Target HR staat.
- Stel het gewenste constante hartslagniveau voor de training in door op de MODE –knop te drukken. Op het scherm komt dan de tekst PULSE en een hart met een pijltje omhoog of omlaag. De gewenste hartslagfrequentie kan ingesteld worden met de Up / Down -knoppen. Door op de MODE –knop te drukken gaat u naar de volgende instelling.
- TIME = instellen van de gewenste duur van de training met behulp van de Up / Down -knoppen. Met de MODE –knop door naar de volgende instelling.
- DISTANCE = instellen van de gewenste afstand voor de training met behulp van de Up / Down -knoppen. Met de MODE –knop door naar de volgende instelling.
- KCAL = instellen van het gewenste energieverbruik voor de training met behulp van de Up / Down -knoppen. Met de MODE –knop gaat u daarna terug naar de tijdsduur (TIME) instelling.
- Begin de training door de START / STOP –knop te drukken. Begin met fietsen en stel indien nodig de constante hartslagwaarde in gedurende de training met behulp van de Up / Down knoppen.
- U kunt de training onderbreken door de START / STOP –knop in te drukken (op de display van de monitor verschijnt dan de tekst Over). De gegevens van het programma blijven gedurende 5 minuten in het geheugen van de monitor, zodat u met de onderbroken training verder kunt gaan door nogmaals op de START / STOP –knop te drukken.
- Beëindig de training door op de RESET –knop te drukken op het moment dat de monitor in de onderbrekingsfase is.
- Wanneer u een streefwaarde hebt ingesteld, geeft de monitor een geluidssignaal en de display begint te knipperen wanneer de streefwaarde bereikt is. Stel de display op nul door eerst op de START / STOP –knop te drukken en vervolgens op de RESET –knop.

Trainingsprofielen

- Druk nadat de monitor is opgestart op de Up / Down knoppen totdat op de monitor het profielteken verschijnt (P1 – P8) en de profielvorm. Alle profielen zijn zogenaamde standaardkrachtprofielen: hoe sneller u roeit, hoe meer kilometers u volgens de monitor aflegt. De duur van alle profielen is van tevoren ingesteld op 20 minuten.
- Kies het gewenste profiel met behulp van de + /- knoppen. Door op de MODE –knop te drukken komt u op de tijdsinstelling van het trainingsprofiel: met de Up / Down knoppen kunt u de tijd in stappen van 5 minuten instellen van 10:00 tot 90:00 minuten.
- Begin de training door op de START / STOP –knop te drukken. Begin met fietsen en stel indien nodig het weerstandsniveau van de profielvorm waarmee u traint in door op de Up / Down knoppen te drukken: de + knop geeft een grotere weerstand, en de – knop vermindert de weerstand.
- U kunt de training onderbreken door de START / STOP –knop in te drukken (op de display van de monitor verschijnt dan de tekst Over). De gegevens van het programma blijven gedurende 5 minuten in het geheugen van de monitor, zodat u met de onderbroken training verder kunt gaan door nogmaals op de START / STOP –knop te drukken.
- Beëindig de training door op de RESET –knop te drukken op het moment dat de monitor in de onderbrekingsfase is.
- Wanneer u het profiel helemaal afwerkt, geeft de monitor een geluidssignaal en begint de display te knipperen bij het bereiken van de streefwaarde. Stel de display op nul door eerst op de START / STOP – knop te drukken en vervolgens op de RESET –knop.

Recovery

METEN VAN DE CONDITIEHARTSLAG

Meet uw conditiehartslag bij het beëindigen van de training.

- U meet uw conditiehartslag door op de RECOVERY –knop te drukken. Op de display verschijnt dan de tekst Recovery.
- De meting start automatisch en duurt twee minuten.
- Aan het einde van de meettijd verschijnt het herstelpercentage op het scherm. Hoe kleiner dit percentage is, des te beter is uw conditie. Denk u er wel om, dat het resultaat afhankelijk is van uw hartslagsnelheid bij het begin van de meting, en dat het resultaat zeer persoonlijk is en in geen geval direct vergelijkbaar met het resultaat van andere personen. Om de betrouwbaarheid van de meting van de hartslagreactie te verbeteren, moet u altijd proberen om de meting zo nauwkeurig mogelijk en altijd op dezelfde wijze uit te voeren; begin de meting zoveel mogelijk op hetzelfde hartslagniveau.

Reiniging en onderhoud

Het toestel vereist geen speciaal onderhoud. Het toestel behoeft geen kalibratie wanneer het wordt geassembleerd, gebruikt en onderhouden overeenkomstig de instructies.



WAARSCHUWING

- Verwijder voor reiniging of onderhoud de adapter.
 - Gebruik geen oplosmiddelen om het toestel te reinigen.
- Reinig het toestel na elk gebruik met een zachte absorberende doek.
 - Controleer regelmatig of alle schroeven en moeren goed vast zitten.
 - Smeer indien nodig de draaipunten.
 - Reinig de binnenzijde van de rail indien nodig zodat het zitje zo vlot en geruisloos mogelijk kan bewegen. Indien gewenst, kunt u de beweging van het zitje verbeteren door de binnenzijde van de rails in te smeren met paraffine.

Defecten en storingen

Ondanks voortdurende kwaliteitscontrole kan het gebeuren dat het toestel door individuele onderdelen defect is of niet goed werkt. In de meeste gevallen zal het voldoende zijn om het defecte onderdeel te vervangen.

- Als het toestel niet goed werkt, neem dan onmiddellijk contact op met de dealer.
- Geef het modelnummer en serienummer van het toestel op aan de dealer. Vertel wat de aard van het probleem is, hoe het toestel wordt gebruikt en wanneer u het toestel heeft gekocht.

Transport en opslag



WAARSCHUWING

- Verwijder voor transport en opslag de adapter.
 - Draag en verplaats het toestel met minstens twee personen.
- Blijf aan weerskanten aan de voorkant van het toestel staan en pak de handgrepen stevig vast. Til de voorkant van het toestel op zodat de achterkant van het toestel op de wielen komt te rusten. Verplaats het toestel en zet het voorzichtig neer. Zorg voor een beschermende laag onder het toestel om schade aan het vloeroppervlak te voorkomen.

- Verplaats het toestel voorzichtig over een ongelijke ondergrond. Breng het toestel niet met behulp van de wielen naar boven, maar draag het toestel bij de handgrepen.
- Berg het toestel op een droge plaats op met zo weinig mogelijk temperatuurwisselingen.

De roeimachine R50 kan op de volgende manier tot een rechtopstaande, plaatsbesparende positie gebracht worden:

- Maak de vergrendelingspin onder het voorste frame los, duw het voorste frame een beetje naar beneden en trek de vergrendelingspin naar boven.
- Open het veerslot aan de linkerkant door de klep opzij in te drukken. Hef tegelijkertijd het voorste frame omhoog.

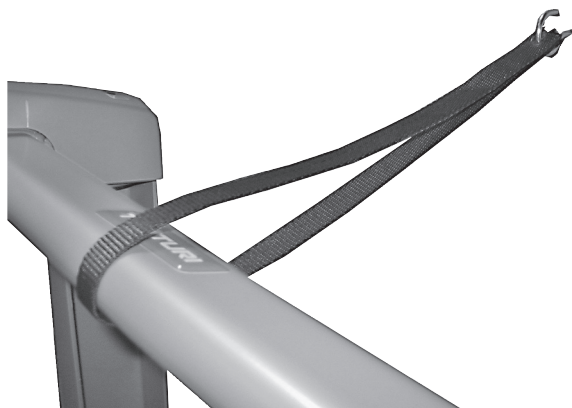


- Verlaag het voorste frame voorzichtig tussen de rails. Zorg ervoor dat het voorste frame vastzit.
- Neem de stang achteraan de roeimachine vast en plaats het toestel in rechtopstaande positie, ondersteund door de speciale pootjes vooraan. Plaats de roeimachine in opslagpositie tegen een muur en zorg ervoor dat het voorste frame niet per ongeluk op iemand kan vallen.



LET OP

Het toestel wordt vervoerd met een lus en een haak die ervoor moeten zorgen dat het toestel mooi in de opslagpositie blijft. Kies voor uw roeimachine een geschikte opslagplaats naast een muur uit. Bevestig de haak stevig en op de juiste hoogte aan de muur. Hef de roeimachine in opslagpositie omhoog tot voor de haak. Hang de lus die bij de roeimachine werd geleverd rond de stang en hang deze aan de haak. Klim niet op de roeimachine wanneer die zich in opslagpositie bevindt!



Aanvullende informatie

Afvoeren van verpakkingsmateriaal

Overheids-richtlijnen geven aan dat we de hoeveelheid afvalmateriaal afgevoerd naar stortplaatsen moeten verminderen. Daarom vragen we u al het afvalmateriaal op verantwoordelijke wijze af te voeren naar openbare recycling-centra.

Verrwijdering aan het eind van de levensduur.

We hopen dat u jarenlang plezier hebt van uw fitnessapparaat. Er komt echter een moment waarop het fitnessapparaat het eind van de bruikbare levensduur heeft bereikt. Onder de Europese AEEA-wetgeving bent u verantwoordelijk voor het op de juiste wijze afvoeren van uw fitnessapparaat naar een erkend openbaar inzamelpunt.

Technische gegevens

Parameter	Meeteenheid	Waarde
Lengte	cm inch	197 77,6
Breedte	cm inch	50 19.7
Hoogte	cm inch	66 26
Gewicht	kg lbs	46.4 102.3
Max. gewicht gebruiker	kg lbs	135 300
Adapter Spanning Sterkte	V Ma.	6V-DC 500 Ma.

Garantie

Garantievoorwaarden

De consument ontleent wettelijke rechten aan de van toepassing zijnde nationale wetgeving aangaande de handel in consumentengoederen en de garantie zal deze rechten niet beperken.

De "Garantie voor de Eigenaar" geldt alleen dan wanneer het toestel wordt gebruikt in de door Tunturi New Fitness BV voor dat toestel toegestane gebruiksomgeving. Voor elk toestel wordt de toegestane gebruiksomgeving beschreven in de gebruiksaanwijzing van het toestel.

Garantievoorwaarden

De garantievoorwaarden gaan in vanaf de datum van aankoop. Deze kunnen per land verschillen. Vraag in de winkel bij u in de buurt naar de garantievoorwaarden.

Garantiedekking

In geen enkele omstandigheid zal Tunturi New Fitness BV of een wederverkoper van Tunturi aansprakelijk zijn voor eventuele indirecte schade geleden door de koper, zoals verlies van gebruiksnuut of inkomstenderving of andere indirecte economische gevolgen.

Garantiebeperkingen

De garantie dekt defecten van het toestel die het gevolg zijn van materiaalfouten of onjuist uitgevoerd werk, mits het toestel zijn originele samenstelling heeft. De garantie betreft alleen defecten die blijken tijdens normaal gebruik overeenkomstig de meegeleverde gebruiksaanwijzing, mits de montage-, onderhouds- en gebruiksaanwijzingen van Tunturi zijn opgevolgd. Tunturi New Fitness BV en zijn wederverkopers zijn niet aansprakelijk voor defecten tengevolge van factoren waarop zij geen invloed kunnen uitoefenen. De garantie betreft alleen de eerste eigenaar van het toestel en is alleen geldig in landen waar een geautoriseerde importeur van Tunturi New Fitness BV is gevestigd. De garantie betreft geen trainingstoestellen of onderdelen die zijn gewijzigd zonder toestemming van Tunturi New Fitness BV. De garantie dekt geen defecten tengevolge van normale slijtage, onjuist gebruik, gebruik in omstandigheden waarvoor het toestel niet is bedoeld, corrosie of schade ontstaan tijdens laden of transport. De garantie geldt niet voor geluiden die ontstaan door het gebruik, als ze het gebruik van het apparaat niet wezenlijk belemmeren en niet veroorzaakt zijn door een defect aan het apparaat.

De garantie omvat ook geen onderhoudsmaatregelen, zoals reiniging, smering of normale inspectie van onderdelen, noch dergelijke montagewerkzaamheden die de klant zelf kan uitvoeren en die geen speciale demontage en montage van het toestel vereisen. Dit soort maatregelen zijn bijv. vervanging van monitoren, pedalen of andere vergelijkbare eenvoudige onderdelen. Garantieherstel dat is uitgevoerd door een ander dan de geautoriseerde Tunturi-vertegenwoordiger wordt niet vergoed. De garantie geldt alleen voor normaal, voorgeschreven gebruik van het product zoals beschreven in de handleiding.

Verklaring van de fabrikant

Tunturi New Fitness BV verklaart dat het product voldoet aan de volgende normen en richtlijnen: EN 957 (HA), 89/336/EEG. Het product is derhalve voorzien van het CE-label.

01-2017

Tunturi New Fitness BV
Purmerweg 1
1311 XE Almere
The Netherlands

Disclaimer

© 2017 Tunturi New Fitness BV
Alle rechten voorbehouden.

Het product en de handleiding zijn aan veranderingen onderhevig. Specificaties kunnen zonder verdere kennisgeving worden veranderd.

Índice

Advertencias de seguridad.....	46
Descripción	47
Montaje (fig. B)	47
Fuente de alimentación (Fig. C)	47
Sesiones de ejercicio.....	47
Ejercicio Instrucciones	47
Del ritmo cardíaco	48
Como remar	49
Uso.....	49
Consola (fig D-1).....	49
Explicación de los botones	50
Explicación de las funciones de pantalla	50
Funcionamiento	51
Programas	51
Limpieza y mantenimiento.....	52
Defectos y fallos	52
Transporte y almacenamiento.....	53
Información adicional	53
Datos técnicos.....	54
Garantía.....	54
Declaración del fabricante.....	54
Descargo de responsabilidad.....	54

Español

Este manual español es una traducción del texto inglés. No se pueden derivar derechos de esta traducción. El texto original en inglés prevalecerá.

Remo

¡Bienvenido al mundo de Tunturi Fitness!
Le agradecemos la compra de esta máquina Tunturi. Tunturi ofrece una amplia gama de máquinas de fitness profesionales como bicicletas elípticas, cintas de correr y bicicletas de ejercicio. La máquina Tunturi es adecuada para toda la familia, independientemente del nivel de forma física. Si desea información adicional, visite nuestro sitio web www.tunturi.com

Advertencias de seguridad



ADVERTENCIA

Lea las advertencias de seguridad y las instrucciones. De no seguirse las advertencias de seguridad y las instrucciones pueden producirse lesiones personales o daños en la máquina. Conserve las advertencias de seguridad y las instrucciones para su consulta posterior.



ADVERTENCIA

Los sistemas de motorización de frecuencia cardíaca pueden ser imprecisos. Un exceso de ejercicio puede provocar lesiones graves o incluso la muerte. Si se siente mareado, deje de hacer ejercicio inmediatamente.

- La máquina es adecuada únicamente para uso doméstico. La máquina no es adecuada para un uso comercial.
- El uso máx. Está limitado a 5 horas al día.
- El uso de esta máquina por niños o por personas con una discapacidad física, sensorial o motora, o falta de experiencia y conocimientos, puede dar lugar a situaciones de riesgo. Las personas responsables de su seguridad deben dar instrucciones explícitas o supervisar el uso de la máquina.
- Antes de empezar a hacer ejercicio, consulte con un médico para comprobar su estado de salud.
- Si experimenta náuseas, mareos u otros síntomas anormales, deje de hacer ejercicio inmediatamente y consulte con un médico.
- Para evitar dolor y tensión muscular, realice un calentamiento antes de empezar a hacer ejercicio y termine haciendo relajación. Recuerde hacer estiramientos al final de la sesión de ejercicio.
- La máquina es adecuada únicamente para uso en interior. La máquina no es adecuada para un uso en exterior.
- Utilice la máquina únicamente en lugares con una ventilación adecuada. No utilice la máquina en lugares donde haya corriente para no resfriarse.
- Utilice la máquina únicamente en lugares con una temperatura ambiente entre 10 °C y 35 °C. Almacene la máquina únicamente en lugares con una temperatura ambiente entre 5 °C y 45 °C.
- No utilice ni almacene la máquina en espacios húmedos. La humedad del aire no debe ser superior al 80%.
- Utilice la máquina sólo para su uso previsto. No la utilice para otros fines que no sean los descritos en el manual.
- La máquina no debe utilizarse si alguna de las piezas ha sufrido daños o tiene algún defecto. Contacte con su proveedor si alguna de las piezas ha sufrido daños o tiene algún defecto.
- Mantenga las manos, los pies y demás partes del cuerpo alejadas de las piezas móviles.
- Mantenga el pelo alejado de las piezas móviles.
- Lleve ropa y calzado adecuado.

- Mantenga la ropa, las joyas y otros objetos alejados de las piezas móviles.
- Asegúrese de que sólo una persona utilice la máquina cada vez. La máquina no debe ser utilizada por personas cuyo peso supere los 135 kg (300 lbs).
- No abra la máquina sin consultar con su proveedor.

Descripción

El remo es una máquina estacionaria de fitness que se utiliza para simular la acción de remar sin generar una presión excesiva en las articulaciones.

Montaje (fig. B)



ADVERTENCIA

- Si falta una pieza, contacte con su proveedor.
- Al menos dos personas deben transportar y mover la máquina.



PRECAUCIÓN

- Coloque la máquina sobre una superficie firme y nivelada.
 - Coloque la máquina sobre una base protectora para evitar daños en la superficie del suelo.
 - Deje unos 100 cm de espacio alrededor de la máquina.
- El aparato de remo se envía en posición de bloqueo para su almacenamiento.
 - Tire del sillín hacia atrás.
 - Tire del tubo frontal plegado en el marco hacia arriba y hacia adelante.
 - Tire del pasador de seguridad hacia arriba y, al mismo tiempo, presione el marco frontal hacia abajo con la tapa del cable de tracción.
 - Suelte el pasador y asegúrese de que el marco frontal queda bloqueado hacia adelante.
 - Apriete siempre el pasador antes de empezar a hacer ejercicio.

Ajuste el medidor para conseguir el ángulo adecuado para realizar el ejercicio.

Fuente de alimentación (Fig. C)

El entrenador se alimenta desde una fuente de alimentación externa.



NOTA

- Conecte la fuente de alimentación al entrenador antes de enchufarlo a una toma de corriente de la pared.
- Quite siempre el cable de alimentación cuando no utilice la máquina.

Sesiones de ejercicio

La sesión de ejercicio debe ser ligera, pero de larga duración. El ejercicio aeróbico se basa en mejorar el consumo de oxígeno máximo del cuerpo, lo que a su vez mejora la resistencia y la forma física. Debe transpirar, pero no debe quedarse sin aliento durante la sesión de ejercicio. Para lograr y mantener un nivel de forma física básico, debe realizar ejercicio al menos tres veces a la semana, 30 minutos cada vez. Aumente el número de sesiones de ejercicio para mejorar su nivel de forma física. Vale la pena combinar el ejercicio regular con una dieta sana. Una persona que se encuentre a dieta debe realizar ejercicio a diario, al principio 30 minutos o menos cada vez, aumentando gradualmente el tiempo de ejercicio diario hasta una hora. Empiece la sesión de ejercicio a velocidad baja y resistencia baja para evitar que el sistema cardiovascular se vea sometido a una tensión excesiva. A medida que mejore el nivel de forma física, pueden aumentarse gradualmente la velocidad y la resistencia. La eficiencia de su ejercicio puede medirse supervisando su frecuencia cardíaca y sus pulsaciones.

Ejercicio Instrucciones

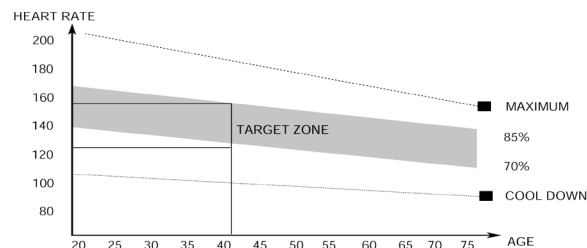
El uso de su entrenador le aportará muchas ventajas, mejorará su tono físico, tonificará los músculos y, combinado con una dieta con un consumo controlado de calorías, le ayudará a perder peso.

Fase de calentamiento

Esta fase mejora la circulación y favorece el buen funcionamiento de los músculos. Asimismo, reduce el riesgo de calambres y de lesiones musculares. Es conveniente realizar una serie de ejercicios de estiramiento, como se muestra más abajo. Al estirar se debe mantener la posición durante unos 30 segundos; no fuerce los músculos ni realice movimientos bruscos para estirarlos, si duele, PARE inmediatamente.

Fase de ejercicio

Esta es la fase de esfuerzo. Tras un uso regular, los músculos de las piernas irán ganando flexibilidad. Es importante mantener un ritmo estable durante toda esta fase. El ejercicio debe ser lo suficientemente fuerte como para incrementar el ritmo cardíaco hasta el objetivo que se muestra en el siguiente cuadro.



Esta fase debe tener una duración mínima de 12 minutos, aunque la mayoría de las personas empiezan a los 15-20 minutos.

Fase de enfriamiento

La finalidad de esta fase es permitir que se relaje el sistema cardiovascular y los músculos. Es una repetición del ejercicio de calentamiento, por lo que debe ir reduciendo el ritmo de manera constante durante unos 5 minutos. En este momento debe repetir también los ejercicios de estiramiento, evitando de nuevo forzar los músculos o hacer movimientos bruscos.

A medida que vaya mejorando su forma física, es posible que el entrenamiento tenga que ser más largo e intenso. Es aconsejable entrenarse al menos tres veces a la semana, espaciando de manera uniforme, en la medida de lo posible, los entrenamientos durante la semana.

Tonificación muscular

Si quiere tonificar los músculos mientras trabaja con el aparato, deberá ajustar la resistencia en un nivel bastante alto. Así aumentará la tensión sobre los músculos de las piernas, con lo que es posible que no pueda entrenarse durante todo el tiempo que le gustaría. Si quiere mejorar su condición física, tendrá que modificar también el programa de entrenamiento. El entrenamiento durante las fases de calentamiento y enfriamiento será igual, pero debe aumentar la resistencia hacia el final de la fase de ejercicio para incrementar el esfuerzo del tren inferior. Tendrá que reducir la velocidad para mantener el ritmo cardíaco en la zona objetivo.

Pérdida de peso

El factor determinante en este sentido es el esfuerzo realizado. Cuanto más intenso y prolongado sea el ejercicio físico, más calorías quemará. En realidad, es lo mismo que si se entrenara para mejorar la condición física, lo que cambia es el objetivo.

Del ritmo cardíaco

Medición de la frecuencia cardíaca (correa en el pecho para la frecuencia cardíaca)

La medición más precisa de la frecuencia cardíaca se logra con una correa en el pecho para la frecuencia cardíaca. La frecuencia cardíaca se mide con un receptor de frecuencia cardíaca en combinación con una correa transmisora de la frecuencia cardíaca. Para una medición precisa de la frecuencia cardíaca es necesario que los electrodos de la correa transmisora estén ligeramente húmedos y que toquen constantemente la piel. Si los electrodos están demasiado secos o demasiado húmedos, la medición de la frecuencia cardíaca puede resultar menos precisa.



ADVERTENCIA

- Si usted tiene un marcapasos, consulte con un médico antes de utilizar una correa en el pecho para la frecuencia cardíaca.



PRECAUCIÓN

- Si hay varios dispositivos de medición de frecuencia cardíaca en proximidad, asegúrese de que la distancia entre ellos sea de al menos 2 metros.
- Si sólo hay un receptor de frecuencia cardíaca y varios transmisores, asegúrese de que sólo una persona con un transmisor se encuentre en la zona de transmisión.



NOTA

- Lleve siempre la correa en el pecho para la frecuencia cardíaca debajo de la ropa, en contacto directo con la piel. No lleve la correa en el pecho para la frecuencia cardíaca por encima de la ropa. Si lleva la correa en el pecho para la frecuencia cardíaca por encima de la ropa, no habrá señal.
- Si define un límite de frecuencia cardíaca para su sesión de ejercicio, cada vez que éste se supere sonará una alarma.
- El transmisor transmite la frecuencia cardíaca a la consola hasta una distancia de 1,5 metro. Si los electrodos no están húmedos, la frecuencia cardíaca no aparece en la pantalla.
- Algunas fibras de la ropa (p. ej. poliéster, poliamida) generan electricidad estática, la cual puede impedir la medición precisa de la frecuencia cardíaca.
- Los teléfonos móviles, las televisiones y otros aparatos eléctricos generan un campo electromagnético que puede impedir la medición precisa de la frecuencia cardíaca.

Frecuencia cardíaca máxima (durante el entrenamiento)

alcanzar una persona de forma segura por la tensión del ejercicio. Se utiliza la siguiente fórmula para calcular la frecuencia cardíaca máxima media: $220 - \text{EDAD}$. La frecuencia cardíaca máxima varía según la persona.



ADVERTENCIA

- Asegúrese de no superar la frecuencia cardíaca máxima durante la sesión de ejercicio. Si usted se encuentra en un grupo de riesgo, consulte con un médico.

Principiante 50-60% de frecuencia cardíaca máxima

Adecuada para principiantes, personas que cuidan la línea, convalecientes y personas que no han hecho ejercicio en mucho tiempo. Haga ejercicio al menos tres veces a la semana, 30 minutos cada vez.



Avanzado 60-70% de frecuencia cardíaca máxima



Adecuada para personas que desean mejorar y mantener la forma física. Haga ejercicio al menos tres veces a la semana, 30 minutos cada vez.

Experto 70-80% de frecuencia cardíaca máxima

Adecuado para personas con muy buena forma física que están acostumbradas a sesiones de ejercicio de gran resistencia.

Como remar

	Capturar Cómodamente hacia delante con la espalda y brazos rectos..
	Manejar Empujar con las piernas mientras los brazos permanecen rectos.
	Finalizar Tire a través de sus brazos y piernas balanceándose ligeramente hacia atrás de su pelvis.

	Recuperar Es aconsejable llevar la parte superior del cuerpo sobre su pelvis y moverse hacia delante.
	Capturar Volver a la posición de inicio y comenzar de nuevo.

Capturar – Manejar

Comenzar la remada confortablemente en posición hacia delante y empujar hacia atrás con sus piernas mientras mantiene sus brazos y espalda rectos.

Finalizar

Comenzar a empujar sus brazos hacia atrás hasta que rebasen sus rodillas y continuar la remada hasta la finalización de balanceo ligero hacia atrás de su pelvis.

Recuperar – Capturar

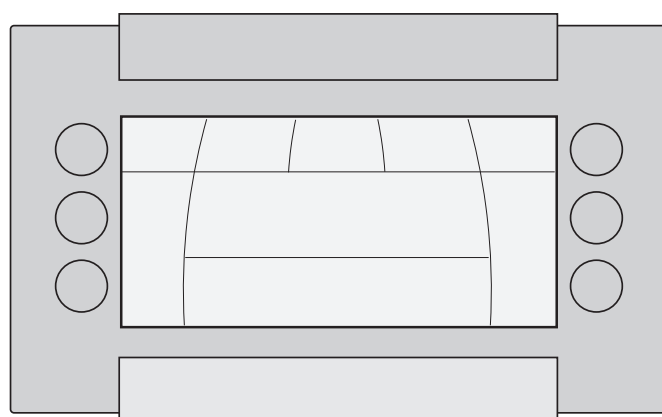
Volver a la posición de inicio y repetir.

Uso

Ajuste del reloj

- Pulse y mantenga el botón MODE y el botón RESET durante 2 segundos para restablecer el contador.
- Pulse el botón UP o el botón DOWN para ajustar el reloj.

Consola (fig D-1)



**PRECAUCIÓN**

- Mantenga la consola alejada de la luz solar directa.
- Seque la superficie de la consola cuando esté cubierta de gotas de sudor.
- No se apoye en la consola.
- Toque la pantalla únicamente con la punta del dedo. Asegúrese de no tocar la pantalla con las uñas ni objetos afilados.

**NOTA**

- La consola pasa al modo de espera activa cuando la máquina no se usa durante 4 minutos.

Explicación de los botones**MODE**

- Selección de los valores objetivo.
- En el mando a distancia de la barra de tracción encontrará el mismo botón.

RESET

Puesta a cero de los valores objetivo, conclusión del ejercicio y retorno al estado inicial

UP (Arriba)

- Gire el selector en sentido horario para aumentar el valor.
 - Aumentar el nivel de resistencia./
- En el mando a distancia de la barra de tracción encontrará el mismo botón.

DOWN (Abajo)

- Gire el selector en sentido anti-horario para reducir el valor.
 - Disminuir el nivel de resistencia.
- En el mando a distancia de la barra de tracción encontrará el mismo botón.

RECOVERY

- Medición del ritmo cardiaco de restablecimiento

START / STOP

- Inicio e interrupción del ejercicio

Botones de la barra de tracción (fig. D-2)

Los botones sólo transmiten pulsaciones individuales al medidor y el medidor no reconoce pulsaciones más largas.

A continuación, restablezca la función de control a distancia pulsando los tres botones de la barra a la vez y durante cinco segundos. Posteriormente, pruebe el funcionamiento de los botones.

Hay una pila dentro de la barra de tracción. Si los botones no funcionan, cambie la pila y colóquela en la dirección correcta. Sin embargo, si utiliza la barra en casa, la pila dura varios años.

**PRECAUCIÓN**

Cuando termine de hacer ejercicio, coloque la barra en su soporte. Nunca deje de agarrar la barra en la mitad del movimiento de remo.

Explicación de las funciones de pantalla

CARRERAS (velocidad de tirada/min)

El número de tiradas/min. También hay una barra debajo de la pantalla de lectura en la que se indica la velocidad de tirada.

DURACIÓN DEL EJERCICIO

00:00 – 99:59: medición a intervalos de 1 segundo, h
1:40 – h 9:59 medición a intervalos de 1 minuto

PULSACIONES DURANTE EL EJERCICIO

El símbolo corazón parpadea intermitentemente al ritmo de las pulsaciones medidas. Los símbolos de flecha en el monitor alertan en caso de que el ritmo cardiaco supere el límite superior establecido o no alcance el límite inferior fijado

RECORRIDO DEL EJERCICIO (KM. / MILLAS)

0.00 – 99.9 Km.

Velocidad (temporizador para 500m de distancia, kmh)
tiempo 0-9,59/500m

CONSUMO DE ENERGÍA (KCAL.)

Estimación del consumo total de energía durante la realización del ejercicio, 0 – 9999 Kcal.

RELOJ (CLOCK)

Reloj con tiempo real

TERMÓMETRO (GRADOS C / GRADOS F)

Termómetro de la temperatura ambiente, escala Celsius

HIGRÓMETRO (HUMEDAD %)

Higrómetro de la humedad ambiente, 0 – 100%

MONITOR NUMÉRICO PRINCIPAL

El valor del ejercicio seleccionado aparece indicado en el centro del contador con grandes números; los demás valores del ejercicio pueden ser observados al mismo tiempo en la línea superior del monitor numérico

MONITOR DE PERFIL DEL PROGRAMA DE EJERCICIO

Perfil del programa predeterminado del ejercicio seleccionado

Funcionamiento

Encendido

- Enchufe el suministro eléctrico, el ordenador se encenderá y mostrará todos los segmentos en la LCD durante 2 segundos.
- Pulse cualquier tecla para encender la consola cuando se está en el modo dormir.

Ajuste del reloj

- Pulse y mantenga el botón MODE y el botón RESET durante 2 segundos para restablecer el contador.
- Pulse el botón UP o el botón DOWN para ajustar el reloj.

Programas

EJERCICIO MANUAL

En el ejercicio manual, puede ajustar el nivel de resistencia durante el ejercicio.

- Puede iniciar el ejercicio inmediatamente pulsando el botón START/STOP. Ajuste el nivel de resistencia durante el ejercicio con la perilla de control.
- Puede iniciar el ejercicio estableciendo un valor objetivo para el ejercicio. Presione la tecla Up / Down hasta que aparezca el texto manual en la parte inferior del monitor numérico principal.
- Presione la tecla MODE para poder acceder al establecimiento de los valores objetivo.
- TIME = establezca la duración que desee para el ejercicio presionando las teclas +/- . Al presionar la tecla MODE pasará a la siguiente configuración.
- DISTANCE = establezca la distancia que desee para el ejercicio presionando las teclas + /-. Al presionar la tecla MODE pasará a la siguiente configuración.
- KCAL. = establezca el valor objetivo de consumo de energía para el ejercicio presionando las teclas Up / Down. Al presionar la tecla MODE pasará a la siguiente configuración.
- PULSE = establezca el límite superior para el valor del ritmo cardiaco durante el tiempo de duración del ejercicio presionando las teclas Up / Down: en el monitor aparecerán los símbolos del corazón y una flecha hacia arriba. Presione la tecla MODE para pasar a determinar el límite inferior del valor del ritmo cardiaco: en el monitor aparecerán los símbolos del corazón y una flecha hacia abajo. Establezca el límite inferior para el valor del ritmo cardiaco durante el tiempo de duración del ejercicio presionando las teclas +/- . En caso de que el valor de su ritmo cardiaco exceda los límites establecidos, el contador le avisará haciendo parpadear de forma intermitente la flecha del límite en cuestión en el monitor. Después de esto podrá retornar al establecimiento de la duración del ejercicio (TIME) presionando la tecla MODE.
- Puede iniciar el ejercicio presionando la tecla

START / STOP. Empiece y regule en caso de que sea necesario el nivel de resistencia durante el ejercicio.

- Puede interrumpir el ejercicio presionando la tecla START / STOP (en el monitor del contador figura el texto Over). Los datos del programan permanecen almacenados en la memoria del contador durante 5 minutos, de modo que podrá reanudar el ejercicio interrumpido presionando nuevamente la tecla START / STOP.
- Puede concluir el ejercicio presionando la tecla RESET estando el contador en el estado de interrupción.
- En caso de que haya determinado un valor objetivo, el contador emitirá una señal acústica y el valor del monitor comenzará a parpadear intermitentemente cuando se haya alcanzado el valor objetivo. Ponga el monitor a cero presionando primero la tecla START / STOP y después la tecla RESET.

Ejercicio target HR

(RITMO CARDIACO CONSTANTE)

Para realizar el ejercicio poniéndose como objetivo un RC específico, configure el nivel de pulsos estándar que desee. Durante el ejercicio, el aparato mantiene automáticamente el nivel de pulsos configurado independientemente de la velocidad a la que se esté realizando el ejercicio.

- Presione las teclas de Up / Down hasta que en la parte inferior del monitor numérico principal aparezca el texto Target HR.
- Determine el nivel de ritmo cardiaco constante que desee para el ejercicio presionando la tecla MODE. En el monitor aparece el texto PULSE así como los símbolos del corazón y las flechas hacia arriba y hacia abajo. Puede establecer el nivel objetivo de ritmo cardiaco presionando las teclas Up / Down. Al presionar la tecla MODE podrá pasar a la siguiente configuración.
- TIME = establezca la duración que desee para el ejercicio presionando las teclas Up / Down. Al presionar la tecla MODE pasará a la siguiente configuración.
- DISTANCE = establezca la distancia que desee para el ejercicio presionando las teclas Up / Down. Al presionar la tecla MODE pasará a la siguiente configuración.
- KCAL. = establezca el valor objetivo de consumo de energía para el ejercicio presionando las teclas Up / Down. Presionando la tecla MODE retornará al establecimiento de la duración del ejercicio (TIME).
- Comience el ejercicio presionando la tecla START / STOP. En caso de que sea necesario, regule el nivel del ritmo cardiaco continuo durante el ejercicio presionando las teclas Up / Down.
- Puede interrumpir el ejercicio presionando la tecla START / STOP (en el monitor del contador figura el texto Over). Los datos del programan permanecen almacenados en la memoria del contador durante 5

minutos, de modo que podrá reanudar el ejercicio interrumpido presionando nuevamente la tecla START / STOP.

- Puede concluir el ejercicio presionando la tecla RESET estando el contador en el estado de interrupción.
- En caso de que haya determinado un valor objetivo, el contador emitirá una señal acústica y el valor del monitor comenzará a parpadear intermitentemente cuando se haya alcanzado el valor objetivo. Ponga el monitor a cero presionando primero la tecla START / STOP y después la tecla RESET.

Perfiles de ejercicio

- Presione las teclas Up / Down una vez que el contador haya sido puesto en marcha hasta que en el monitor del contador aparezca tanto el distintivo de perfil (P1 - P8) como el modo de perfil. Todos los perfiles se consideran perfiles de potencia estándar: cuanto más rápido se rema, más rápido es el aumento de la distancia en metros. La duración prefijada para todos los perfiles es de 20 minutos.
- Seleccione el perfil que desee haciendo uso de las teclas Up / Down. Presionando la tecla MODE pasará a la determinación del tiempo del perfil de ejercicio: por medio de las teclas de Up / Down podrá fijar el tiempo con intervalos de 5 minutos entre 10:00 y 90:00 minutos.
- Comience el ejercicio presionando la tecla START / STOP. Durante la realización del ejercicio puede cambiar el nivel de resistencia de aquella parte del perfil que esté realizando en ese momento presionando las teclas Up / Down: la tecla + aumenta la resistencia, la tecla - la reduce.
- Puede interrumpir el ejercicio presionando la tecla START / STOP (en el monitor del contador figura el texto Over). Los datos del programa permanecen almacenados en la memoria del contador durante 5 minutos, de modo que podrá reanudar el ejercicio interrumpido presionando nuevamente la tecla START / STOP.
- Puede concluir el ejercicio presionando la tecla RESET estando el contador en el estado de interrupción. En caso de que realice el perfil hasta el final, el contador emitirá una señal acústica y el valor del monitor empezará a parpadear intermitentemente cuando se haya alcanzado el valor objetivo. Ponga el monitor a cero presionando primero la tecla START / STOP y después la tecla RESET.

Recovery

MEDICIÓN DEL RITMO CARDIACO DE RECUPERACIÓN

Mide su ritmo cardiaco de recuperación una vez concluido el ejercicio.

- Podrá acceder a la medición del ritmo cardiaco de recuperación presionando la tecla RECOVERY. En el monitor aparecerá el texto Recovery.

- La medición comienza automáticamente y dura dos minutos.
- Al término del periodo de medición aparecerá en el monitor la relación de recuperación del ritmo cardiaco expresada en forma de porcentaje. Cuánto más pequeña sea la cifra indicada, mejor es la condición física de que goza. Observe que su resultado está en relación con el ritmo cardiaco que tenía en el momento inicial de la medición y que su resultado es personal y por consiguiente no comparable directamente con los resultados de otras personas. Para garantizar la veracidad del resultado de la medición procure no cambiar las circunstancias de la misma. Siempre empiece la medición en el mismo nivel del pulso.
- Para pasar de la medición del ritmo cardiaco de recuperación a la visualización general del monitor, presione la tecla RESET; el contador pasará al monitor general automáticamente después de transcurrido

Limpieza y mantenimiento

La máquina no requiere un mantenimiento especial. No es necesario recalibrar la máquina cuando ésta se ha montado, utilizado y mantenido según las instrucciones.



ADVERTENCIA

- Antes de la limpieza y el mantenimiento, retire el adaptador.
- No utilice disolventes para limpiar la máquina.
- Limpie la máquina con un paño suave y absorbente tras cada uso.
- Compruebe periódicamente que todos los tornillos y las tuercas estén apretados.
- En caso necesario, lubrique las juntas.
- Si es necesario, limpie las superficies interiores de la barra para que el sillín pueda desplazarse sin problemas y sin ruido. Si lo considera oportuno, puede mejorar el movimiento del sillín aplicando parafina en la superficie de las barras.

Defectos y fallos

A pesar del control de calidad continuo, la máquina puede presentar defectos y fallos ebidos a piezas individuales. En la mayoría de los casos, será suficiente sustituir la pieza defectuosa.

1. Si la máquina no funciona correctamente, contacte inmediatamente con su proveedor.
2. Facilite al proveedor el número de modelo y el número de serie de la máquina. Indique la naturaleza del problema, las condiciones de uso y la fecha de compra.

Transporte y almacenamiento

ADVERTENCIA

- Antes del transporte y el almacenamiento, retire el adaptador.
 - Al menos dos personas deben transportar y mover la máquina.
- Hay que colocarse de pie delante de la máquina en cada lado y agarrar bien por los manillares. Levante la parte delantera de la máquina para poder levantar la parte trasera sobre las ruedas. Mueva la máquina y bájela con cuidado. Coloque la máquina sobre una base protectora para evitar daños en la superficie del suelo.
 - Mueva la máquina con cuidado sobre superficies irregulares. No suba la máquina por las escaleras usando las ruedas; transporte la máquina por los manillares.
 - Almacene la máquina en un lugar seco con la menor variación de temperatura posible.

El aparato de remo R50 puede almacenarse en posición vertical para ahorrar espacio. Para ello:

- Afloje el pasador de seguridad que se encuentra debajo del marco frontal. Presione el marco ligeramente hacia abajo y tire del pasador hacia arriba.
- Abra el pestillo que se encuentra a la izquierda presionando la lengüeta que se encuentra a un lado. Al mismo tiempo, eleve el marco frontal.

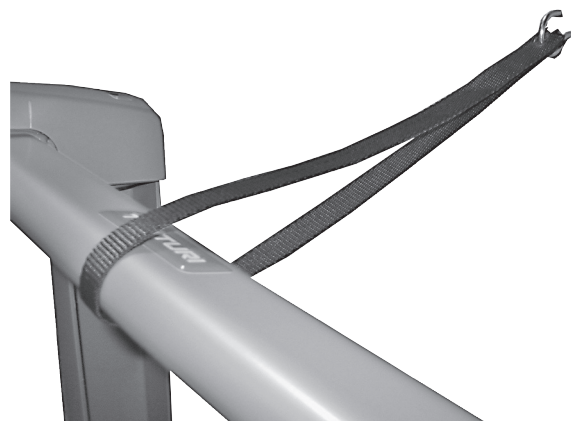


- Baje el marco frontal con cuidado para colocarlo entre las barras. Asegúrese de que el marco frontal está bloqueado.
- Agarre la barra transversal que se encuentra en la parte posterior del aparato y elévelo en posición recta para que quede apoyado con las patas de soporte frontales.

Guarde el aparato de remo contra la pared de forma que el marco frontal no pueda caerse accidentalmente.

ADVERTENCIA

El aparato de remo se envía con un aro y un gancho para sujetarlo y guardarlo correctamente. Elija un lugar de almacenamiento adecuado para el aparato junto a la pared. Coloque el gancho en la pared a la altura adecuada. Eleve el aparato a la altura del gancho. Rodee la barra transversal con el aro y cuélguelo del gancho. No se monte en el aparato cuando lo tenga en posición de almacenamiento.



Información adicional

Eliminación de embalajes

Las pautas gubernamentales exigen reducir la cantidad de residuos que se depositan en los basureros. Por este motivo, le rogamos que deseche los embalajes de manera responsable en centros públicos de reciclaje.

Eliminación al final de la vida útil

Desde Tunturi esperamos que disfrute de su equipo de entrenamiento durante muchos años. No obstante, llegará un momento en que éste llegue al final de su vida útil. Conforme a la Directiva WEEE (relativa a la gestión de residuos procedentes de equipos eléctricos y electrónicos) le corresponde a usted la responsabilidad de desechar adecuadamente su equipo de entrenamiento en un centro público autorizado de recogida.

Datos técnicos

Parámetro	Unidad de medición	Valor
Longitud	cm inch	197 77,6
Anchura	cm inch	50 19.7
Altura	cm inch	66 26
Peso	kg lbs	46.4 102.3
Peso máx. del usuario	kg lbs	135 300
Adaptador	V Ma.	6V-DC 500 Ma.

Garantía

Condiciones de la garantía

El consumidor tiene derecho a la aplicación de los derechos legales específicos de la legislación nacional concernientes al comercio de bienes de consumo y esta garantía no limita dichos derechos. La Garantía del Propietario sólo estará en vigor cuando el equipo se utilice en el entorno de uso permitido por Tunturi New Fitness BV para dicho equipo de ejercicio. En las instrucciones de uso de cada aparato se especifica el entorno de uso permitido para el mismo.

Términos de la garantía

Los términos de la garantía comenzarán el día de la compra. Los términos de garantía pueden variar por país, así que consulte con su distribuidor local para ver cuáles son los términos de la garantía.

Cobertura de la garantía

Tunturi New Fitness BV o los distribuidores Tunturi no responderán en ninguna circunstancia a causa de esta garantía por los eventuales daños indirectos, secundarios, resultantes o especiales de ningún tipo derivados del uso o la imposibilidad de uso de este equipo.

Restricciones a la garantía

La garantía cubre los fallos debidos a la fabricación y los materiales en un equipo de ejercicio que esté en su ensambladura original. La garantía cubre solamente defectos que se manifiesten durante un uso normal, conforme a las instrucciones dadas en la guía suministrada con el equipo,

a condición de que se hayan observado las instrucciones de montaje, mantenimiento y utilización proporcionadas por Tunturi. Tunturi New Fitness BV y los distribuidores Tunturi no pueden responder de fallos ocasionados por circunstancias ajenas a su control. La presente garantía sólo es válida para el comprador original del equipo de ejercicio y tiene vigencia solamente en los países en los que Tunturi New Fitness BV cuenta con un importador autorizado. La garantía no cubre los equipos de ejercicio o sus partes que hayan sido modificados sin el consentimiento previo de Tunturi New Fitness BV. La garantía no cubre fallos derivados del desgaste normal, de un uso indebido, de su uso en condiciones para las que el equipo no ha sido concebido, corrosión o daños sufridos durante la carga o el transporte.

La garantía no cubre los sonidos o ruidos emitidos durante el uso que no impidan de forma sustancial la utilización del equipo y que no estén provocados por un fallo del mismo

La garantía no cubre las actividades de mantenimiento tales como limpieza, lubricación o el ajuste normal de las piezas, ni los procedimientos de instalación que el cliente pueda realizar por sí mismo y que no requieran un desmontaje / montaje especial del equipo de ejercicio. Estos procedimientos son, por ejemplo, el cambio de contadores, pedales o de otras piezas simples similares. No se reembolsarán las reparaciones realizadas durante el periodo de garantía por agentes no autorizados por Tunturi. Si no se siguen adecuadamente las instrucciones dadas en el Manual del Propietario se invalidará la garantía del producto.

Declaración del fabricante

Tunturi New Fitness BV declara que el producto es conforme con las siguientes normas y directivas: EN 957 (HB), 89/336/CEE. Por tanto, el producto dispone de marcado CE.

01-2017

Tunturi New Fitness BV
Purmerweg 1
1311 XE Almere
The Netherlands

Descargo de responsabilidad

© 2017 Tunturi New Fitness BV
Reservados todos los derechos.

El producto y el manual están sujetos a cambios. Las especificaciones pueden cambiarse sin previo aviso.

Index

Roddmaskin	55
Säkerhetsvarningar	55
Description	56
Montering (Fig. B)	56
Strömförsörjning (fig. C)	56
Träning	56
Övning Instruktioner	56
Hjärtfrekvens	57
Hur man rör	58
Användning	58
Panel (Fig. D-1)	58
Förklaring av knappar	58
Förklaring av displayfunktioner	59
Manövrering	59
Program	59
Rengöring och underhåll	61
Fel och funktionsstörningar	61
Transport och lagring	61
Ytterligare information	62
Teknisk information	62
Garanti 62	
Försäkran från tillverkaren	63
Friskrivning	63

På svenska

Denna handbok är en översättning av den engelska texten. Vi förbehåller oss rätten till eventuella översättningsfel. Den engelska originaltexten råder.

Roddmaskin

Välkommen till Tunturi Fitness värld!
Tack för att du köpte denna utrustning från Tunturi. Tunturi erbjuder ett stort utbud av professionell träningsutrustning, exempelvis crosstrainers, löpband, träningscyklar och roddmaskiner. Utrustning från Tunturi passar hela familjen, oavsett träningsnivå. Mer information finns på vår webbplats, www.tunturi.com

Säkerhetsvarningar



VARNING

Läs säkerhetsvarningarna och instruktionerna. Om inte säkerhetsvarningarna och instruktionerna följs kan det medföra skador på personer eller utrustningen. Behåll säkerhetsvarningarna och instruktionerna för framtida bruk.



VARNING

System för övervakning av hjärtfrekvensen är inte alltid exakta. Överträning kan medföra allvarlig skada eller död. Sluta omedelbart att träna om du känner dig svag.

- Utrustningen är endast anpassad för hemmabruk. Utrustningen är inte anpassad
- Maximal användning är begränsad till 5 timmar per dag.
- Om utrustningen används av barn eller personer med fysiska, sensoriska, mentala eller motoriska handikapp, eller som saknar erfarenhet och kunskap, kan detta medföra risker. Personer som är ansvariga för deras säkerhet måste ge tydliga instruktioner, eller övervaka användningen av utrustningen.
- Innan du påbörjar din träning, uppsök en läkare som kan kontrollera din hälsa.
- Om du upplever illamående, yrsel eller andra onormala symptom, avsluta genast din träning och kontakta en läkare.
- Börja varje träningspass med att värma upp och avsluta varje träningspass med nedvarning för att undvika muskelsmärter och sträckningar. Kom ihåg att stretcha i slutet av träningen.
- Utrustningen är endast anpassad för användning inomhus. Utrustningen är inte anpassad för användning utomhus.
- Använd endast utrustningen i miljöer med god ventilation. Använd inte utrustningen i dragiga miljöer för att undvika att bli förkyld.
- Använd endast utrustningen i miljöer med temperatur mellan 10 °C och 35 °C. Förvara endast utrustningen i miljöer med temperatur mellan 5 °C och 45 °C.
- Använd inte och förvara inte utrustningen i fuktig miljö. Luftfuktigheten får aldrig överstiga 80%.
- Använd endast utrustningen för dess avsedda ändamål. Använd inte utrustningen för andra ändamål än de som beskrivs i handboken.
- Använd inte den här utrustningen om någon del är trasig eller skadad. Om någon del är trasig eller skadad, kontakta din återförsäljare.
- Håll undan händer, fötter och andra kroppsdelar från de rörliga delarna.
- Håll undan håret från de rörliga delarna.
- Bär passande kläder och skor.
- Håll undan kläder, smycken och andra föremål från de rörliga delarna.

- Låt bara en person åt gången använda utrustningen. Utrustningen får inte användas av personer som väger mer än 135 kg (300 lbs).
- Öppna inte utrustningen utan att kontakta din återförsäljare.

Description

Din roddmaskin är en stationär träningsmaskin som används för att simulera rodd utan att orsaka kraftigt tryck på lederna.

Montering (Fig. B)



VARNING

- Om någon del saknas, kontakta din återförsäljare..
- Var två om att bära och förflytta utrustningen.



OBS.

- Placera utrustningen på en stabil och jämn yta.
- Placera utrustningen på en skyddande grund för att förhindra att golvet skadas.
- Lämna åtminstone 100 cm fritt runt utrustningen.

- Roddmaskinen levereras i låst läge.
- Skjut framröret på ramen uppåt och framåt.
- Dra upp låspinnen och skjut samtidigt framröret neråt med draglinans skydd.
- Lossa låspinnen och se till att framröret är låst i framåtläge.
- Skruva alltid fast låspinnen innan du börjar använda redskapet.

Justera mätaren så att den befinner sig i rätt läge för träning.

Strömförsörjning (fig. C)

Träningsredskapet försörjs av en extern strömkälla. Illustrationen visar strömingången på träningsredskapet.



ANMÄRKNING

- Anslut strömförsörjningen till träningsredskapet innan det ansluts till vägguttaget.
- Dra alltid ut sladden när maskinen inte används.

Träning

Träningen måste vara lagom lätt, men hålla på länge. Aerobisk träning är till för att förbättra kroppens maximala syreupptag, vilket förbättrar uthålligheten och konditionen. Du ska svettas, men du ska inte bli andfådd under träningen. För att uppnå och behålla en grundkondition, träna åtminstone tre gånger i veckan, 30 minuter åt gången. Öka antalet träningspass för att förbättra din kondition. Det är bra att kombinera regelbunden träning med hälsosam kost. En person som har bestämt sig för att banta bör träna dagligen, 30 minuter eller mindre till en början och sedan öka den dagliga träningstiden till en timme. Börja din träning i låg hastighet och med lågt motstånd för att förhindra att hjärtkärlsystemet utsätts för kraftig belastning. När konditionen förbättras, kan hastigheten och motståndet ökas gradvis. Din tränings effektivitet kan mätas genom att kontrollera din hjärtfrekvens och din puls.

Övning Instruktioner

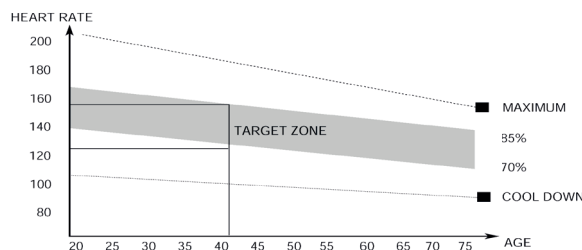
Användningen av ditt träningsredskap kommer att ge dig många fördelar; det kommer att förbättra din fysiska kondition, tona musklerna och tillsammans med en kalorikontrollerad diet hjälpa dig att gå ned i vikt.

Uppvärmningsfasen

Denna fas får blodet att börja pumpa runt i kroppen och förbereder musklerna på aktivitet. Den minskar även risken för kramp och muskelskada. Det är tillrådligt att göra några stretchövningar som visas nedan. Varje stretchövning ska hållas i ungefär 30 sekunder. Tvinga eller tryck inte in musklerna i en stretchövning. Om det gör ont, SLUTA

Träningsfasen

Detta är fasen där du jobbar. Efter regelbunden användning, kommer musklerna i dina ben att bli mer flexibla. I denna fas är det mycket viktigt att bibehålla ett jämnt tempo från början till slut. Ansträngningsnivån ska vara tillräcklig för att höja din puls till målzonen som visas i nedanstående figur



Denna fas bör pågå i minst 12 minuter, även om de flesta börjar med ungefär 15-20 minuter.

Nedvarningsfasen

Under denna fas får ditt kardiovaskulära system och

dina muskler varva ned. Den är en upprepning av uppvärmningsövningen, t.ex. minska ditt tempo, fortsatt i ca 5 minuter. Stretchövningarna ska nu upprepas. Kom ihåg att inte tvinga eller trycka in musklerna i stretchövningen.

När du blir mer vältränad, kan du träna längre och hårdare. Vi rekommenderar att träna minst tre gånger i veckan, och, om möjligt, fördela dina träningsstillfällen jämnt under hela veckan.

Muskeltoning

För att tona musklerna när du använder träningsredskapet, måste du ställa in en ganska hög belastning. Detta belastar benmusklerna mer och kan innebära att du inte kan träna så länge som du vill. Om du även försöker förbättra din kondition, måste du ändra ditt träningsprogram. Du bör träna som vanligt under uppvärmnings- och nedvarvningsfaserna, men mot slutet av träningsfasen kan du öka belastningen så att dina ben får jobba hårdare. Du måste minska hastigheten för att hålla pulsen i målzonen.

Viktminskning

Den viktigaste faktorn här är hur mycket du anstränger dig. Ju hårdare och längre du tränar, desto fler kalorier bränner du. Detta är i princip detsamma som om du tränade för att förbättra din kondition, skillnaden är målet.

Hjärtfrekvens

Hjärtfrekvensmätning (pulsbälte)

Den mest exakta mätningen av hjärtfrekvensen uppnås med ett pulsbälte. Hjärtfrekvensen mäts av en hjärtfrekvensmottagare i kombination med ett pulsbälte med sändare. Korrekt pulsmätning kräver att elektroderna på sändarbältet är en aning fuktiga och i ständig kontakt med skinnet. Om elektroderna är för torra eller för fuktiga kan pulsmätningen bli mindre exakt.



VARNING

- Kontakta en läkare innan du använder ett pulsbälte om du har pacemaker.



OBS.

- Om det finns flera enheter för hjärtfrekvensmätning bredvid arandra, kontrollera att avståndet mellan dem är minst 2 meter.
- Om det bara finns en hjärtfrekvensmottagare och flera hjärtfrekvenssändare, kontrollera att bara en person med sändare är inom mottagningsområdet.



ANMÄRKNING

- Bär alltid pulsbeltet under dina kläder, i direktkontakt med huden. Bär inte pulsbeltet utanpå kläderna. Om du bär pulsbeltet utanpå kläderna kommer det inte att bli någon signal.
- Om du har ställt in en begränsning av hjärtfrekvensen för din träning, kommer ett larm att ljuda när den överskrids.
- Sändaren sänder hjärtfrekvensen till panelen upp till ett avstånd på 1,5 meter. Om elektroderna inte är fuktiga, kommer inte hjärtfrekvensen att visas på displayen.
- Vissa klädfibrer (t.ex. polyester eller polyamid) skapar statisk elektricitet som kan förhindra en korrekt mätning av hjärtfrekvensen.
- Mobiltelefoner, tv-apparater och andra elektriska apparater skapar ett elektromagnetiskt fält som kan förhindra en korrekt mätning av hjärtfrekvensen.

Maximal hjärtfrekvens (under träning)

Den maximala hjärtfrekvensen är den högsta hjärtfrekvens en person säkert kan få vid träning. Följande formel används för att beräkna den genomsnittliga maximala hjärtfrekvensen: $220 - \text{ÅLDER}$. Den maximala hjärtfrekvensen varierar från person till person.



VARNING

- Kontrollera att du inte överskrider din maximala hjärtfrekvens under din träning. Kontakta en läkare om du tillhör en riskgrupp.

Nyborjarnivå 50-60% av den maximala hjärtfrekvensen

Passar nybörjare, viktväktare, konvalescenter och personer som inte har tränat på länge. Träna åtminstone tre gånger i veckan, 30 minuter åt gången.


Avanceradnivå 60-70% av den maximala hjärtfrekvensen

Passar personer som vill förbättra och underhålla konditionen. Träna åtminstone tre gånger i veckan, 30 minuter åt gången.

Expert 70-80% av den maximala hjärtfrekvensen

Passar de mest vältränade, som är vana vid långa och tunga träningspass.

Hur man rör

	<p>Hämta</p> <p>Böj framåt med raka armar och rak rygg..</p>
	<p>Uppstart</p> <p>Tryck ifrån med benen medan armarna fortsätter vara raka</p>
	<p>Avslut</p> <p>Dra bakåt med armarna och benen och gunga bakåt med höfterna..</p>
	<p>Retur</p> <p>Överkroppen fälls framåt över höfterna i en rörelse framåt.</p>
	<p>Hämta</p> <p>Återvänd till startpositionen och börja om med rörelsen</p>

Hämta - Uppstart

Påbörja draget i främre position och tryck kraftigt bakåt med benen medan armarna och ryggen behålls raka.

Avslut

Börja att dra armarna bakåt när de passerat knäna och fortsätt med draget bakåt över höfterna.

Retur

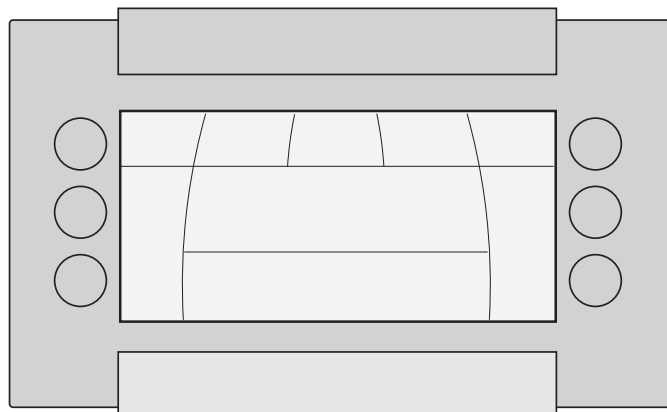
Återvänd till startpositionen och återupprepa rörelsen

Användning

Ställa in klockan

- Tryck på och håll ner knappen MODE och RESET i två sekunder för att återställa mätaren.
- Tryck på knappen UP eller DOWN för att ställa in klockan.

Panel (Fig. D-1)



OBS

- Skydda panelen från direkt solljus.
- Torka av panelens yta när den är täckt av svett droppar.
- Luta dig inte mot panelen.
- Vidrör endast displayen med din fingertopp. Var noga med att inte dina naglar eller vassa föremål vidrör displayen.



ANMÄRKNING

- Panelen övergår till viloläge när utrustningen inte har använts på 4 minuter.

Förklaring av knappar

MODE

- Välja målsättningsvärdena.
- Denna knapp finns också på fjärrkontrollen på dragstängen.

RESET

- Nollställa träningsvärdena, sluta träning och återställ allmänna displayen

UP

- Öka motståndet.
 - Vrid reglaget medurs för att öka värdet.
- Denna knapp finns också på fjärrkontrollen på dragstängen.

Down

- Minska motståndet
 - Vrid reglaget moturs för att minska värdet.
- Denna knapp finns också på fjärrkontrollen på dragstången.

RECOVERY

- Mätningen av återhämtningspulsen.

START/STOP

- Börja / avbryta träningen..

Skjutknappar (fig. D-2)

Knapparna i fråga överför endast individuella nyckelslag till metern, metern känner inte igen längre nyckelslag.

Därefter nollställer du fjärrkontrollsfunktionen genom att trycka på alla tre skjutknapparna samtidigt i fem sekunder. När du gjort det, testar du att skjutknapparna fungerar.

Tänk på att det finns ett batteri inuti skjutfacket. Om skjutknapparna inte fungerar, skall batteriet bytas ut. Kontrollera att du sätter i det rätt. Kom ihåg att vid hemanvändning, så håller batteriet i flera år.



VARNING

När du är klar med din träning, ställer du tillbaka skjutfacket i dess hållare. Släpp aldrig ditt grepp på skjutfacket i mitten av en träningsrörelse!

* Denna knapp finns också på fjärrkontrollen på dragstången.

Förklaring av displayfunktioner

Årtag (hastighet/min)

Antalet årtag/min. Hastigheten visas också på en indikator på displayen.

Träningstid

00:00 – 99:59; mätning i en sekunds intervaller,
h1:40-h9:59 mätning i en minuts intervaller

Träningspuls

Hjärtssymbolen blinkar i takten med pulsmätningen. Displayens pilsymboler visar om pulsen överskrider eller underskrider det inställda gränsvärdet.

Träningssträck (km)

0.00-99.99 km

Hastighet (timer för 500 m avstånd, kmh)

tid 0-9,59/500 m

Energiförbrukning (Kcal)

Den estimerade totalenergiförbrukning under träningen, 0-9999 kcal

Klocka (Clock)

Realtidsklocka.

Termometer (Temp C)

Mäter rumstemperaturen antingen i Celsius eller Fahrenheit

Fuktighetsmätare (Humidity %)

Mäter fuktigheten i rummet, 0 – 100%.

Displayen av huvudvärden

Det valda träningsvärdet syns i stora siffror i mitten av displayen medan de övriga träningsvärdena i övre raden.

Displayen av kumulativ puls

Mäts pulsen under tränings-sessionen ser man pulsens profil formas under träningens lopp.

Manövrering

Ström på

- Koppla in strömförsörjningen. Datorn kommer då att starta och visa allt på displayen i två sekunder.
- Tryck på valfri knapp för att sätta på strömmen om enheten befinner sig i läget SLEEP.

Ställa in klockan

- Tryck på och håll ner knappen MODE och RESET i två sekunder för att återställa mätaren.
- Tryck på knappen UP eller DOWN för att ställa in klockan.

Program

MANUAL

(Manuel träning)

I manuella träningen kan du justera motståndet under träningens lopp med hjälp av kontrollreglaget.

- Du kan börja träningen genast genom att trycka på knappen START/STOP. Justera motståndet under träningens lopp med kontrollreglaget.
- Du kan börja träningen genom att sätta gränsvärden för tränings-sessionen. Tryck på Up / Down knappen tills ordet MANUAL står under huvuddisplayen.
- Trycka på knappen MODE för att sätta målsättningsvärden.

- TIME = sätt en önskad träningstid med hjälp av plus- och minusknappar. Genom att trycka på knappen MODE kommer du till nästa sättning.
- DISTANCE = sätt en önskad träningssträck med hjälp av plus- och minusknappar. Genom att trycka på knappen MODE kommer du till nästa sättning.
- KCAL = sätt en önskad energiförbrukningsnivå med hjälp av plusoch minus- knappar. Genom att trycka på knappen MODE kommer du till nästa sättning.
- PULSE = sätt ett övre gränsvärde för träningspulsen med hjälp av plus- och minusknappar: på displayen visas ett hjärta och en pil uppåt. Tryck på knappen MODE för att sätta ett nedre gränsvärde för träningspulsen: Displayen visar ett hjärta och en pil nedåt. Sätt ett nedervärde för träningspulsen genom att trycka på plusoch minusknappar. Om du överskrider eller underskrider de utsatta gränsvärdena visar displayen detta genom att blinka den ifrågavarande pilen. Efter detta återvänder du med knappen MODE till att inställa träningstiden (TIME).
- Du kan börja träningen genom att trycka på knappen START/STOP. Börja träningen och vid behov justera moståndet under träningens lopp.
- Du kan avbryta träningen genom att trycka på knappen START/STOP (I displayen står ordet "OVER"). Programinformationen lagras för fem minuter i mätarens minne; återvänder du inom denna tid gäller det bara att trycka på knappen START/STOP för att fortsätta med träningen.
- Du kan sluta träningen genom att trycka på -knappen RESET när mätaren är i paustillståndet.
- Har du utsatt ett målsättningsvärde ger mätaren en ljudsignal när den är i paustillståndet efter att målsättningsvärdet har uppnåtts. Nollställa siffrorna genom att först trycka på knappen START/STOP och därefter knappen RESET.

Target HR

(konstant puls)

För Target HR-träning ställer du in önskad standardpulsnivå. Under träningen bevaras den inställda pulsnivån automatiskt oavsett träningshastighet.

- Tryck på Up / Down knappen tills "Target HR" visas på huvuddisplayen.
- Sätt den önskade konstanta pulsnivån för träningen genom att trycka på knappen MODE-. På displayen visas "PULSE" samt ett hjärta och pilen uppåt och nedåt. Målsättningspulsnivån sätts med plus- och minusknappar. Med knappen MODE kommer du till nästa sättning.
- TIME = sätt en önskad träningstid med hjälp av plus- och minusknappar. Genom att trycka på knappen MODE kommer du till nästa sättning.
- DISTANCE = sätt en önskad träningssträcka med plus- och minusknappar. Genom att trycka på knappen MODE kommer du till nästa sättning.

- KCAL = sätt en önskad energiförbrukningsnivå med hjälp av plusoch minus- knappar. Genom att trycka på knappen MODE återvänder du till sättningen av träningstiden (TIME).
- Börja träningen med att trycka på knappen START/STOP. Börja trampa och vid behov justera moståndet under träningens lopp.
- Du kan avbryta träningen genom att trycka på knappen START/STOP (På displayen står "OVER"). Programinformationen lagras för fem minuter i mätarens minne; återvänder du inom denna tid gäller det bara att trycka på knappen START/STOP igen för att fortsätta med träningen.
- Du kan sluta träningen genom att trycka på knappen RESET när mätaren är i paustillståndet.
- Har du utsatt ett målsättningsvärde ger mätaren en ljudsignal när den är i paustillståndet efter att målsättningsvärdet har uppnåtts. Nollställa siffrorna genom att först trycka på knappen START/STOP och därefter knappen RESET.

Träningsprofiler

- Efter att mätaren startats tryck Up / Down knappen tills på displayen står en profilkod (P1-P8) och profilform. Alla profiler är s.k. standardkraftsprofiler: ju snabbare du rör, desto snabbare flyttar du framåt i avståndet som uppmäts av mätaren. Alla profiler har vid fabrikationen programmerats en längd av 20 minuter.
- Välj en önskad profil med Up / Down knappar. Genom att trycka på knappen MODE kan du sätta träningstiden: med Up / Down knappar kan du sätta tiden i fem minuters mellanrum mellan 10 och 90 minuter.
- Börja träningen genom att trycka på knappen START/STOP. Börja trampa. Under träningens lopp kan du med + /- knapparna ändra motståndsnivån av den profil, som du håller på att prestera; motsåndet ökar genom att trycka på + knappen, och motståndet minskar genom att trycka på - knappen.
- Du kan avbryta träningen genom att trycka på knappen START/STOP (på displayen står ordet "OVER"). Programinformationen lagras för fem minuter i mätarens minne; återvänder du inom denna tid gäller det bara att trycka på knappen START/STOP för att fortsätta med träningen.
- Du kan sluta träningen genom att trycka på knappen RESET när mätaren är i paustillståndet. Slutför du profilen ger mätaren en ljudsignal och värdet på displayen börjar blinka efter att målsättningsvärdet uppnåtts. Nollställa displayen genom att först trycka på knappen START/STOP och därefter knappen RESET

Recovery

mätningen av återhämtningspuls
Mäta återhämtningspuls efter träningen.

- Mätningen kan du börja med att trycka på knappen RECOVERY. På displayen står "Recovery".
- Mätningen börjar automatiskt och varar två minuter.
- Till slutet av mätningen visar displayen pulsens återhämtningsrelation som procenttal. Ju mindre avläsning, desto bättre kondition har du. Beakta att dina resultat befinner sig i en relation till inledningsmomentens pulsnivå och att dina resultat är personliga prestationer som inte kan direkt jämföras med andras resultat. För att förbättra tillförlitligheten i mätningen av återhämtningspuls bör du sträva efter att alltid göra mätningen på samma sätt och så noggrant som möjligt; börja mätningen så exakt som möjligt vid samma pulsnivå.
- Återvändningen från återhämtningsmätningen sker genom att trycka på knappen RESET; för övrigt återgår mätaren till den allmänna displayen en minut efter återhämtningsmätningen slutförts.

Rengöring och underhåll

Utrustningen kräver inte något särskilt underhåll. Utrustningen kräver inte omkalibrering när den monteras, används eller servas i enlighet med instruktionerna.



VARNING

- Innan rengöring och underhåll, avlägsna adaptorn.
- Använd inte lösningsmedel för att rengöra utrustningen.
- Rengör utrustningen med en mjuk och absorberande trasa efter varje användning.
- Kontrollera regelbundet att alla skruvar och muttrar är åtdragna.
- Smörj vid behov.
- Rengör insidan av rälsen vid behov så att sitsen glider så lätt och tyst som möjligt. Du kan också få sitsen att glida lättare genom att applicera paraffin på rälsytorna om det behövs.

Fel och funktionsstörningar

Trots ständig kvalitetskontroller, kan fel och funktionsstörningar inträffa som orsakas av enstaka delar. I de flesta fallen räcker det med att byta ut den felaktiga delen.

- Om utrustningen inte fungerar korrekt, kontakta omedelbart återförsäljaren.
- Lämna utrustningens modellnummer och serienummer till återförsäljaren. Ange problemets art, förhållanden vid användning och inköpsdatum.

Transport och lagring



VARNING

- Innan transport och förvaring, avlägsna adaptorn.
- Var två om att bära och förflytta utrustningen.
- Stå framför utrustningen på vardera sidan och ta ett fast grepp i handtagen. Lyft utrustningens framsida så att baksidan lyfts på hjulen. Förflytta utrustningen och sätt ner den försiktigt. Placera utrustningen på en skyddande grund för att förhindra att golvet skadas.
- Förflytta utrustningen försiktigt över ojämna ytor. Förflytta inte utrustningen till övervåningen med hjulen, utan bär utrustningen med handtagen.
- Förvara utrustningen på en torr plats med så liten temperaturvariation som möjligt.

Roddmaskinen R50 kan lyftas upp för att spara plats på följande sätt:

- Lossa låspinnen under framramen, tryck ner ramen något och dra låspinnen uppåt.
- Lossa spärren på vänster sida genom att trycka reglaget i sidled. Lyft samtidigt upp framramen.

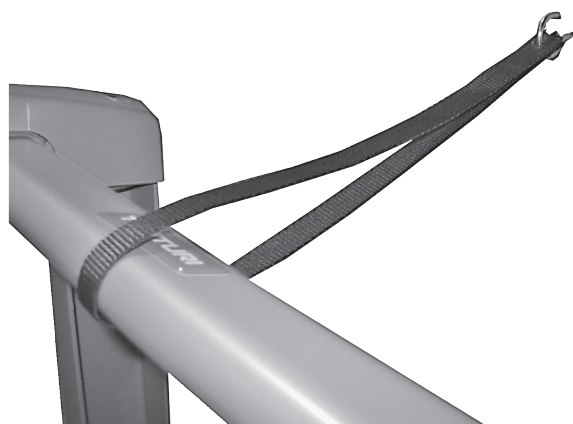


- Skjut försiktigt ner framramen mellan rälsarna. Se till att framramen är låst.
- Grip tag i tvärbalken på den bakre änden av roddmaskinen och lyft upp redskapet i upprätt läge så att den stöds av stödbenen på framänden.

Förvara roddmaskinen mot en vägg och se till att framramen inte kan falla ner och orsaka skada.

VARNING

En ring och en hake medföljer för att låsa roddmaskinen i förvaringsläge. Välj en lämplig förvaringsplats längs med en vägg och sätt fast haken ordentligt i rätt höjd på väggen. Lyft upp roddmaskinen till förvaringsläge framför haken. Trä ringen runt tvärbalken och koppla ihop ringen och haken. Gå inte på roddmaskinen när den är i förvaringsläge!



Ytterligare information

Bortskaffande av förpackning

Riktlinjer från myndigheter uppmanar att vi minskar mängden avfall som placeras i deponier. Vi ber dig därför att bortskaffa allt förpackningsavfall på ett ansvarsfullt sätt på allmänna återvinningscentraler.

Bortskaffande av uttjänt redskap

Vi på Tunturi hoppas att du får många års trevlig användning av ditt träningsredskap. Men det kommer en tid när ditt träningsredskap är uttjänt. Enligt den europeiska WEEE-lagstiftningen, ansvarar du för korrekt bortskaffande av ditt träningsredskap på en allmän återvinningsanläggning.

Teknisk information

Parameter	Måttenhet	Värde
Längd	cm inch	197 77,6
Bredd	cm inch	50 19.7
Höjd	cm inch	66 26
Vikt	kg lbs	46.4 102.3
Max användarvikt	kg lbs	135 300
Adapter Spänning Strömstyrka		6V-DC 500 Ma.

Garanti

Garantivillkor

Konsumenten har rätt att tillämpa de nationellt lagstadgade rättigheterna gällande konsumentvaror och denna garanti begränsar inte dessa rättigheter. Ägargarantin är giltig endast om Tunturis träningsredskap används i de miljöer som tillåts enligt Tunturi. Vilka miljöer som är tillåtna står i träningsredskapets bruksanvisning.

Garantivillkor

Garantivillkoren börjar att gälla från inköpsdatumet. Garantivillkoren kan variera mellan olika länder. Kontakta en lokal återförsäljare om garantivillkoren.

Garantis omfattning

Oavsett omständigheter, ansvarar inte Tunturi New Fitness BV eller Tunturis återförsäljare för uppkomna personskador som påverkar köparen, och som innebär inkomstförlust eller andra ekonomiska följdverkningar.

Gegränsningar i garantin

Garantin gäller för arbets- och materialfel, förutsatt att redskapet är i originalmonterat skick.

Garantin gäller endast fel som uppstår vid normalt bruk och då den använts enligt Tunturis instruktioner gällande montering, skötsel och användning. Tunturi New Fitness BV och Tunturis återförsäljare ansvarar ej för fel som uppkommer utanför deras kontroll.

Garantin gäller endast redskapets ursprungliga ägare och är gällande endast i de länder där det finns en godkänd Tunturi New Fitness BV återförsäljare.

Garantin gäller ej för redskap eller delar som har ändrats utan Tunturi New Fitness BV:s godkännande. Garantin gäller ej för fel som beror på normalt slitage, felaktig användning, användning i förhållanden som inte är avsett för redskapet, korrosion eller lastnings- och transportskador.

Garantin täcker inte ljud som uppstår under användning såvida dessa inte väsentligt hindrar utrustningens användning eller har orsakas av ett fel i utrustningen. Garantin gäller inte för underhållsarbete, som rengöring, smörjning eller normal kontroll av komponenterna och inte heller för monteringsarbete som kunden själv kan göra och som inte kräver att redskapet plockas isär/sätts ihop. Det gäller till exempel byte av mätare, trampor eller andra motsvarande enkla delar. Garantireparationer utförda av andra än en godkänd Tunturi-representant, ersätts inte. Ifall instruktionerna i manualen inte följs upphävs produktens garanti.

Försäkran från tillverkaren

Tunturi New Fitness BV försäkrar att produkten uppfyller följande standarder och direktiv: EN 957 (HB), 89/336/EEG. Produkten är därför CE-märkt.

01-2017

Tunturi New Fitness BV
Purmerweg 1
1311 XE Almere
Nederländerna

Friskrivning

© 2017 Tunturi New Fitness BV
Alla rättigheter förbehållna.

Produkten och handboken kan komma att ändras.
Specifikationer kan ändras utan förvarning.

Sisältö

Soutulaite	64
Turvallisuusvaroitukset	64
Kuvaus ...	65
Kokoonpano (kuva. B)	65
virtalähde (kuva. C)	65
Harjoitukset	65
Ohjeita harjoittelua varten	65
Syke	66
Soutaminen	67
Käyttö	67
Ohjauspaneeli (kuva D-1)	67
Painikkeiden selitykset	67
Näytön toimintojen selitys	68
Toiminta.	68
Ohjelmat	68
Puhdistus ja huolto	70
Viat ja häiriöt	70
Kuljetus ja säilytys	70
Lisätietoa laitteen omistajalle	71
Tekniset tiedot	71
Takuu	71
Valmistajan vakuutus	72
Vastuuvapauslauseke	72

Suomeski

Tämä suomennettu käyttöohje on käännetty Englannin kielestä. Pidätämme oikeudet mahdollisiin käännösvirheisiin. Käännös tehty virallisen, englanninkielisen version pohjalta.

Soutulaite

Tervetuloa Tunturi Fitness -maailmaan! Kiitämme sinua tämän Tunturi-laitteen ostosta. Tunturi tarjoaa laajan valikoiman ammattimaisia kuntoilulaitteita, mukaan lukien crosstrainerit, juoksumatot, kuntopyörät ja soutulaitteet. Tunturi-laite sopii koko perheelle kuntotasosta riippumatta. Katso lisätiedot verkkosivuiltamme www.tunturi.com

Turvallisuusvaroitukset



VAROITUS

Lue turvallisuusvaroitukset ja -ohjeet. Turvallisuusvaroitusten ja -ohjeiden jättäminen noudattamatta voi aiheuttaa henkilön loukkaantumisen tai laitevaurion. Säilytä turvallisuusvaroitukset ja -ohjeet myöhempää käyttöä varten.



VAROITUS

Sykkeenvälvontajärjestelmät saattavat olla epätarkkoja. Liiallinen harjoittelu saattaa aiheuttaa vakavia vammoja tai kuoleman. Jos tunnet olosi heikoksi, lopeta harjoittelu heti.

- Laite on sopiva vain kotikäyttöön. Laite ei ole sopiva kaupalliseen käyttöön.
- Enimmäiskäyttö on rajoitettu 5 tuntiin päivässä
- Tämän laitteen käyttö lasten tai fyysisesti, aistillisesti, henkisesti, tai liikunnallisesti rajoittuneiden, tai kokemukseltaan ja tiedoiltaan puutteellisten henkilöiden toimesta voi aiheuttaa vaaratilanteita. Heidän turvallisuudestaan vastuussa olevien henkilöiden on annettava selkeät ja tarkat ohjeet laitteen käytöstä ja valvottava laitteen käyttöä.
- Ennen harjoituksen aloittamista ota yhteys lääkäriin terveystarkastusta varten.
- Jos sinulla on pahoinvointia, huimausta, tai muita epätavallisia oireita, lopeta välittömästi harjoitus ja ota yhteys lääkäriin.
- Vältä lihaskipuja ja venähdyksiä aloittamalla jokainen harjoitus lämmittelyjaksolla ja päätä jokainen harjoitus jäähdyttelyjaksolla. Muista venyttellä harjoittelun lopuksi.
- Laite on sopiva vain sisäkäyttöön. Laite ei ole sopiva ulkokäyttöön.
- Käytä laitetta riittävällä tuuletuksella varustetuissa tiloissa. Älä käytä laitetta vetoisissa tiloissa välttääksesi kylmettymisen.
- Käytä laitetta vain ympäristölämpötilassa 10 °C - 35 °C. Säilytä laitetta vain ympäristölämpötilassa 5 °C - 45 °C.
- Älä käytä tai säilytä laitetta kosteissa tiloissa. Ilmankosteus ei saa koskaan olla yli 80 %.
- Käytä laitetta vain sen aiottuun tarkoitukseen. Älä käytä laitetta muihin, kuin tässä käyttöoppaassa esitettyihin tarkoituksiin.
- Älä käytä laitetta, jos sen jokin osa on vaurioitunut tai viallinen. Jos osa on vaurioitunut tai viallinen, ota yhteys jälleenmyyjään.
- Pidä kätesi, jalkasi ja kehon muut osat pois liikkuvista osista.
- Pidä hiuksesi pois liikkuvista osista.
- Käytä asianmukaista vaatetusta ja kenkiä.
- Pidä vaatteet, korut ja muut esineet pois liikkuvista osista.
- Varmista, että vain yksi henkilö kerrallaan käyttää laitetta. Yli 135 kg (300 lbs) ainava henkilö ei saa käyttää laitetta.

- Älä avaa laitetta ilman yhteydenottoa jälleenmyyjäsi.

Kuvaus

Soutulaitteesi on paikallaan pysyvä kuntoilulaite, jota käytetään simuloimaan soutua ilman liiallista räsitusta niveliin.

Kokoonpano (kuva. B)



VAROITUS

- Jos osa puuttuu, ota yhteys jälleenmyyjään.
- Vähintään kahden henkilön on kannettava ja siirrettävä laitetta.



HUOMAUTUS

- Sijoita laite kovalle, tasaiselle alustalle.
- Asettakaa laite suojalustalle lattiapinnan vaurioiden estämiseksi.
- Varaa vähintään 100 cm tilaa laitteen ympärille.

- Soutulaite on pakkauksessa säilytysasentoon lukittuna.
- Käännä rungon päälle taitettu eturunko ylös ja eteen.
- Vedä lukitusnuppia ylöspäin ja paina samalla eturunkoa alaspäin vetohihnan rullien suojan päältä.
- Vapauta lukitusnappi ja varmista, että eturunko on lukittunut etuasentoon.
- Kiristä lukitusnappi aina ennen harjoittelun aloittamista.

Aseta mittari sopivaan kulmaan harjoittelua varten.

virtalähde (kuva. C)

VirtalähdeKuntolaitteessa on ulkoinen virtalähde. Katso oheisesta kuvasta, missä kuntolaitteesi virtapiste sijaitsee.



ILMOITUS

- Kiinnitä muuntaja laitteeseen ennen kuin yhdistät sen pistorasiaan.
- Irrota virtajohto seinästä aina kun laitetta ei käytetä.

Harjoitukset

Harjoituksen on oltava sopivan kevyt, mutta pitkäkestoinen. Aerobic-harjoitus perustuu kehon maksimi hapenottokyvyn parantamiseen, mikä puolestaan parantaa kestävyttä ja kuntotasoa. Harjoituksen aikana sinun tulisi hikoilla, mutta sinun ei tulisi hengästyä. Harjoittele vähintään kolme kertaa

viikossa 30 minuuttia peruskuntotason saavuttamiseksi ja ylläpitämiseksi. Paranna kuntotasoasi lisäämällä harjoituskertojen määrää. On hyödyllistä yhdistää säännöllinen harjoitus terveelliseen dieettiin. Dieettiin sitoutuneen henkilön tulisi harjoitella päivittäin, ensi alkuun korkeintaan 30 minuuttia ja vähitellen lisäten päivittäinen harjoitusaika yhteen tuntiin. Aloita harjoituksesi hitaalla nopeudella ja pienellä vastuksella estääksesi liiallisen rasituksen sydän-verisuonijärjestelmään. Nopeutta ja vastusta voidaan vähitellen lisätä kuntotason parantuessa. Harjoituksesi tehokkuus voidaan mitata seuraamalla sydämesi lyöntinopeutta ja pulssisi nopeutta. Lisää nopeutta ja vastusta vähitellen oman kuntosi mukaan. Pidä pää pystyssä ja kaula suorana välttääksesi stressiä kaulassa, hartioissa ja selässä. Pidä selkäsi suorana. Varmista, että jalkasi ovat keskellä polkimia ja että lantio, polvet, nilkat ja varpaat ovat suoraan eteenpäin. Pidä painosi alaruumiin yläpuolella, huolimatta siitä, nojaatko eteepäin vai seisotko suorana. Lopeta harjoitusjaksosi vähentämällä nopeutta ja vastusta vähitellen. Muista venytellä harjoittelun lopuksi.

Ohjeita harjoittelua varten

Kuntolaitteen käyttö tarjoaa monia etuja: se parantaa fyysistä kuntoa, kiinteyttää lihaksia ja hallittuun ruokavalion yhdistettynä se auttaa myös pudottamaan painoa.

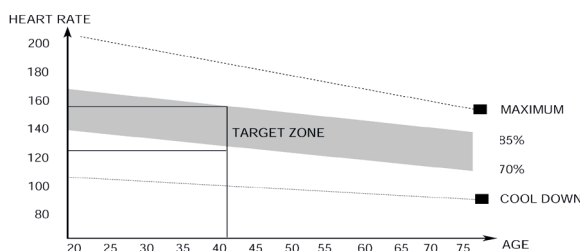
Lämmittelyvaihe

Tämän vaiheen tarkoituksena on saada veri virtaamaan nopeammin ympäri kehoa ja panna lihakset tekemään työtä. Lämmittely vähentää myös krampmien ja lihasvammojen riskiä. Suosittelemme, että teet muutaman venyttelyharjoituksen alla olevan kuvan mukaisesti. Jokaisen venytyksen tulisi kestää noin 30 sekuntia. Älä tee venytyksiä väkisin tai nykäisten - jos tunnet kipua, LOPETA.

Harjoitteluvaihe

Tämä on se vaihe, jossa ponnistelet. Säännöllisen harjoittelun tuloksena jalkojesi lihakset tulevat joustavammiksi.

Tässä vaiheessa on hyvin tärkeää ylläpitää tasaista nopeutta koko ajan. Rasituksen tulisi olla riittävän suuri, jotta sykkeesi nousee tavoitealueelle alla olevan kaavion mukaisesti



Tämän vaiheen tulisi kestää vähintään 12 minuuttia, mutta useimmilla aloittelijoilla se on noin 15-20 minuuttia.

Jäähdyttelyvaihe

Tämän vaiheen tarkoituksena on antaa verenkiertojärjestelmäsi ja lihaksiesi palautua. Jäähdyttelyssä toistetaan lämmittelyvaiheen harjoitukset vähentämällä ensin nopeutta ja jatkamalla tällä nopeudella noin 5 minuuttia. Toista sitten venyttelyharjoitukset pitäen mielessä, että venytyksiä ei saa tehdä väkisin tai nykäisten.

Kun kuntosi nousee, voit tarvita pidempiä ja raskaampia harjoituksia. On suositeltavaa treenata vähintään kolme kertaa viikossa, ja harjoittelut olisi hyvä jakaa tasaisesti viikon varrelle.

Lihasten kiinteytys

Jos tavoitteesi on lihasten kiinteytys, sinun pitää asettaa vastus suureksi. Silloin jalkojesi lihakset rasittuvat enemmän, etkä ehkä pysty treenaamaan niin pitkään kuin haluaisit. Jos tavoitteesi on myös kunnan kohentaminen, sinun pitää muuttaa harjoitteluohjelmaasi. Harjoittele lämmittely- ja jäähdyttelyvaiheissa normaalisti, mutta lisää vastusta harjoitteluvaiheessa, jotta jalkasi joutuvat tekemään enemmän työtä. Vähennä tarvittaessa nopeutta, jotta sykkeesi pysyy tavoitealueella.

Painon pudotus

Ratkaisevaa on se, miten rasittavaa harjoittelu on. Mitä enemmän ja mitä pidempään harjoitteleet, sitä enemmän poltat kaloreita. Vaikutus on sama kuin jos harjoittelisit kunnan kohentamiseksi, vaikka tavoite on nyt toinen.

Syke

Sykkeen mittaus (sykevyö)

Tarkin sydämen lyöntinopeus saadaan sykevyöllä. Sykemittaus tapahtuu käyttöliittymän sykevastaanottimen ja sykevyyden lähettimen avulla. Tarkka sydänmittaus edellyttää lähetinvyön elektrodien olevan hieman kosteita ja jatkuvassa kosketuksessa ihoon. Jos elektrodit ovat liian kuivia tai liian kosteita, sykkeen mittaus voi olla epätarkempi.



VAROITUS

- Jos sinulla on sydäntahdistin, ota yhteys lääkäriin ennen sykevyyden käyttöä.



HUOMAUTUS

- Jos useita sykemittauslaitteita on vierekkäin, varmista, että niiden keskinäinen etäisyys on vähintään 2 metriä.
- Varmistu, että laitteen sykevastaanottimen ja sykevyyden lähettimen kantomatkan sisällä ei ole muita lähettäjiä, jotka voisivat aiheuttaa häiriöitä mittauksessa.



ILMOITUS

- Pidä aina sykevyötä vaatteittesi alla suorassa kosketuksessa ihoosi. Älä pidä sykevyötä vaatteittesi päällä. Jos pidät sykevyötä vaatteittesi päällä, signaalia ei ole.
- Jos asetat rajan sydämen lyöntinopeudelle, rajan ylittyessä kuuluu äänihälytys.
- Lähetin lähettää sykkeen korkeintaan 1,5 metrin etäisyydellä olevaan ohjauspaneeliin. Jos elektrodit eivät ole kosteita, sydämen lyöntinopeus ei tule näytölle.
- Jotkin vaatteiden kuidut (esim. polyesteri, polyamidi) synnyttävät staattista sähköä, mikä voi estää tarkan sydämen lyöntinopeuden mittauksen.
- Matkapuhelimet, televisiot ja muut sähkölaitteet luovat sähkömagneettisen kentän, joka voi estää tarkan sydämen lyöntinopeuden mittauksen.

Suurin sallittu sydämen lyöntinopeus (harjoituksen aikana)

Suurin sallittu sydämen lyöntinopeus on suurin lyöntinopeus, jonka henkilö voi turvallisesti saavuttaa harjoituksen rasituksella. Seuraavaa kaavaa käytetään laskemaan keskimääräinen suurin sallittu sydämen lyöntinopeus: $220 - \text{IKÄ}$. Suurin sallittu sydämen lyöntinopeus vaihtelee henkilöstä toiseen.



VAROITUS

- Varmista, ettet ylitä sydämesi suurinta sallittua lyöntinopeutta harjoituksen aikana. Jos kuulut riskiryhmään, ota yhteys lääkäriin.

Aloittelija 50-60% suurimmasta sallitusta sydämen lyöntinopeudesta

Sopiva aloittelijoille, painonvartijoille, toipilaille, ja henkilöille, jotka eivät ole harjoitelleet pitkään aikaan. Harjoittele vähintään kolme kertaa viikossa, 30 minuuttia kerrallaan.

Edistynyt 60-70% suurimmasta allitusta sydämen lyöntinopeudesta

Sopiva henkilöille, jotka haluavat parantaa ja ylläpitää kuntoaan. Harjoittele vähintään kolme kertaa viikossa, 30 minuuttia kerrallaan..

Ekspertti 70-80 % suurimmasta sallitusta sydämen lyöntinopeudesta

Sopiva kunnoltaan erittäin hyvillä henkilöille, jotka ovat tottuneet pitkäkestoisiiin harjoituksiin.

Soutaminen

	<p>Aloitusasento</p> <p>Istu etunojassa selkä ja kädet suorina</p>
	<p>Liike</p> <p>Työnnä jaloilla itseäsi taaksepäin. Pidä kädet suorina..</p>
	<p>Vedon viimeistely</p> <p>Jatka liikettä niin, että koukistetut käsivartesi ohittavat lantionseudun.</p>
	<p>Loppuasento</p> <p>Taivu ylävartalostasi eteenpäin, lantiosi ylle.</p>
	<p>Uusi liike</p> <p>Palaa aloitusasentoon ja toista.</p>

Liikkeen aloitus

Tartu soutukapulaan ja aloita liike hieman etunojassa, polvet koukussa ja käsivarret suorina. Työnnä jaloilla voimakkaasti taaksepäin suoristaen samalla selkäsi ja polvet.

Vetoliike

Jatka liikettä kevyeen takanojaan. Koukista samalla käsivarsia niin, että käsivarret ohittavat lantiosi.

Paluu alkuasentoon

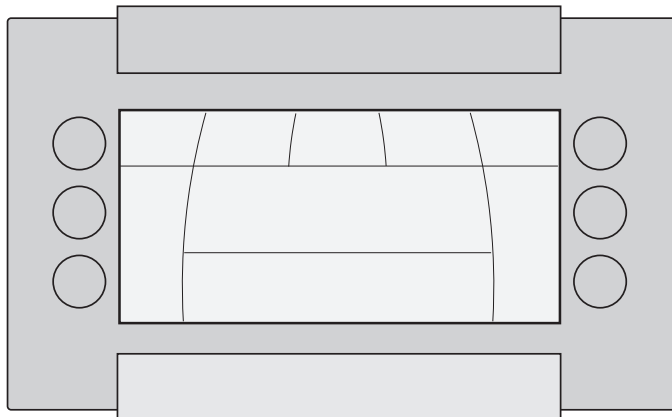
Palaa takaisin alkuasentoon ja toista liike.

Käyttö

Kellon asettaminen

- Nollaa mittari painamalla ja pitämällä painettuna MODE-painiketta ja RESET-painiketta 2 sekuntia.
- Aseta kello painamalla UP-painiketta tai DOWN-painiketta.

Ohjauspaneeli (kuva D-1)



HUOMAUTUS

- Pidä ohjauspaneeli pois suorasta auringonvalosta.
- Kuivaa ohjauspaneelin pinta, jos siihen on tippunut hikeä.
- Älä nojaa ohjauspaneeliin.
- Kosketa näyttöä vain sormenpäälläsi. Älä kosketa näyttöä kynsiläsi tai terävillä esineillä.



ILMOITUS

- Ohjauspaneeli siirtyy valmiustilaan, kun laitetta ei ole käytetty 4 minuuttia.

Painikkeiden selitykset

MODE

- Tavoitearvojen valinta.
- Kyseinen painike on myös vetokapulan kaukosäätimessä.

RESET

- Harjoitusarvojen nollaus, harjoituksen päättäminen ja paluu käynnistystilaan

UP (valintapyörä)

- Kääntämällä valintapyörää myötäpäivään suurennat arvoa.
 - Kääntämällä valintapyörää myötäpäivään
- Kyseinen painike on myös vetokapulan kaukosäätimessä.

DOWN (valintapyörä)

- Kasvattaa vastusta harjoituksen aikana.
- Kääntämällä valintapyörää vastapäivään pienennät arvoa.

Kyseinen painike on myös vetokapulan kaukosäätimessä.

RECOVERY

- Palautussykkeen mittaus

START / STOP

- Harjoituksen aloitus ja keskeytys

Vetokapulan painikkeet (kuva D-2)

Kyseiset painikkeet siirtävät vain yksittäiset painallukset mittarille, mittari ei tunnista niiden pidempää painallusta.

Mikäli vetokapulan painikkeet eivät toimi, tarkista ensin että laite on kiinnitetty verkkovirtaan. Resetoi tämän jälkeen kauko-ohjaintoiminto painamalla kaikkia kolmea vetokapulan painiketta yhtäaikaisesti viiden sekunnin ajan. Testaa tämän jälkeen vetokapulan painikkeiden toiminta.

Huomaa, että vetokapulan sisällä on paristo. Mikäli vetokapulan painikkeet eivät toimi, vaihda paristo ja varmista, että paristo tulee paikalleen oikein päin. Huomaa, että kotikäytössä paristo kestää kuitenkin useita vuosia.



HUOMAUTUS

Kun lopetat harjoituksen, palauta vetokapula paikalleen pidikkeeseen. Älä koskaan irroita otetta vetokapulasta kesken soutu liikkeen!

* Kyseinen painike on myös vetokapulan kaukosäätimessä.

Näytön toimintojen selitys

STROKES (vetonopeus/min)

Vetojen määrä / min., lisäksi lukemanäytön alla on pylvä, joka osoittaa vetonopeutta

HARJOITUSAIKA

00:00- 99:59: mittaus 1 sekunnin välein, h1:40-h9:59 mittaus 1 minuutin välein

HARJOITUSPULSSI

Sydän-symboli vilkkuu mitatun pulssin tahdissa. Näytön nuoli-symbolit osoittavat, mikäli pulssi ylittää asetetun ylärajan tai alittaa asetetun alarajan

HARJOITUSMATKA (KM / MILE)

0-9999 m, 10-99.99 km

5. SPEED (ajanotto 500 m:n matkalle, kmh) 0-9.59 aika / 500 m

ENERGIANKULUTUS (KCAL)

Arvioitu kokonaisenergiankulutus harjoituksen aikana, 0-9999 kcal

KELLO (CLOCK)

Reaaliaikakello

LÄMPÖMITTARI (TEMP C)

Huonelämpötilan mittari, Celsius

KOSTEUSMITTARI (HUMIDITY %)

Huonekosteuden mittari, 0-100 %

KUMULATIIVINEN SYKENÄYTTÖ

Mikäli harjoituksessa käytetään sykemittausta, näyttöön tulee sykkeen harjoituksen aikana muodostama profiili

PÄÄNUMERONÄYTTÖ

Valittu harjoitusarvo näkyy suurilla numeroilla mittarin keskellä; muita harjoitusarvoja voi samalla seurata ylärivin numeronäytöistä

Toiminta

Laitteen kytkeminen päälle

- Laita pistotulppa pistorasiaan, tietokone käynnistyy ja näyttää LCD:llä kaikki segmentit 2 sekuntia.
- Voit aktivoida virransäästötilassa olevan konsolin painamalla mitä tahansa näppäintä.

Kellon asettaminen

- Nollaa mittari painamalla ja pitämällä painettuna MODE-painiketta ja RESET-painiketta 2 sekuntia.
- Aseta kello painamalla UP-painiketta tai DOWN-painiketta.

Ohjelmat

Manual harjoitus

Manual-harjoituksessa voit säätää vastustasoa harjoituksen aikana säätönupin avulla.

- Voit aloittaa harjoituksen heti painamalla START / STOP-painiketta. Säädä vastustasoa harjoituksen aikana säätönupin avulla.
- Voit aloittaa harjoituksen asettamalla tavoitearvoja harjoitukselle. Paina Up / Down painiketta, kunnes päänumeronäytön alla on teksti Manual.
- Paina MODE-painiketta, jolloin pääset tavoitearvojen asetuksiin.

- TIME = aseta harjoitukselle haluamasi kesto + / - painikkeilla. MODE-painikkeella siirryt seuraavaan asetukseen.
- DISTANCE = aseta harjoitukselle haluamasi matka Up / Down -painikkeilla. MODE-painikkeella siirryt seuraavaan asetukseen.
- KCAL = aseta harjoitukselle haluamasi energiankulutuksen tavoitearvo Up / Down -painikkeilla. MODE-painikkeella siirryt seuraavaan asetukseen.
- PULSE = aseta harjoituksen aikaiselle sykearvolle yläraja Up / Down -painikkeilla: näytössä on sydän ja nuoli ylös-symbolit. Paina MODE-painiketta, jolloin siirryt sykearvon alarajan asetukseen: näytössä on sydän ja nuoli alas-symbolit.
- Aseta harjoituksen aikaiselle sykearvolle alaraja Up / Down -painikkeilla. Mikäli sykearvosu ylittää asetetut rajat, mittari osoittaa tämän vilkuttamalla kyseisen rajan nuolta näytössä. Tämän jälkeen palaat MODE-painikkeella harjoitusajan (TIME) asetukseen.
- Voit aloittaa harjoituksen painamalla START / STOP-painiketta. Aloita soutaminen ja säädä tarvittaessa vastustasoa harjoituksen aikana.
- Voit keskeyttää harjoituksen painamalla START / STOP-painiketta (mittarin näytössä teksti Over). Ohjelman tiedot säilyvät 5 minuuttia mittarin muistissa, joten voit jatkaa keskeyttämääsi harjoitustasi painamalla uudestaan START / STOP-painiketta.
- Voit lopettaa harjoituksen painamalla RESET-painiketta mittarin ollessa keskeytystilassa.
- Mikäli olet asettanut tavoitearvon, mittari antaa äänimerkin ja näyttöarvo alkaa vilkkua tavoitearvon täytyttyä. Nollaa näyttö painamalla ensin START / STOP-painiketta ja sen jälkeen RESET-painiketta.

Target HR harjoitus

(VAKIOSYKE)

Target HR-harjoituksessa asetat haluamasi vakiosyketason; harjoituksen aikana laite huolehtii automaattisesti siitä, että asettamasi syketaso säilyy harjoitusnopeudesta riippumatta.

- Paina Up / Down painiketta, kunnes päänumerinäytön alla on teksti Target HR.
- Aseta haluamasi vakiosyketaso harjoitukselle painamalla MODE-painiketta. Näyttöön tulee teksti PULSE sekä sydän ja nuoli ylös / alasymbolit. Voit asettaa tavoitesyketason Up / Down -painikkeilla. MODE-painikkeella siirryt seuraavaan asetukseen.
- TIME = aseta harjoitukselle haluamasi kesto + / - painikkeilla. MODE-painikkeella siirryt seuraavaan asetukseen.
- DISTANCE = aseta harjoitukselle haluamasi matka Up / Down -painikkeilla. MODE-painikkeella siirryt seuraavaan asetukseen.
- KCAL = aseta harjoitukselle haluamasi energiankulutuksen tavoitearvo Up / Down -painikkeilla. MODE-painikkeella palaat harjoituksen keston (TIME) asetukseen.
- Aloita harjoitus painamalla START /

STOP-painiketta. Aloita soutaminen ja säädä tarvittaessa vakiosyketasoa harjoituksen aikana Up / Down painikkeilla.

- Voit keskeyttää harjoituksen painamalla START / STOP-painiketta (mittarin näytössä teksti Over). Ohjelman tiedot säilyvät 5 minuuttia mittarin muistissa, joten voit jatkaa keskeyttämääsi harjoitustasi painamalla uudestaan START / STOP-painiketta.
- Lopeta harjoitus painamalla RESET-painiketta mittarin ollessa keskeytystilassa.
- Mikäli olet asettanut tavoitearvon, mittari antaa äänimerkin ja näyttöarvo alkaa vilkkua tavoitearvon täytyttyä. Nollaa näyttö painamalla ensin START / STOP-painiketta ja sen jälkeen RESET-painiketta.

Harjoitusprofiilit

- Paina mittarin käynnistyttyä + tai - painiketta kunnes mittarin näyttöön tulee profiilitunnus (P1-P8) sekä profiilimuoto. Kaikki profiilit ovat ns. vakiotehoprofiileja: mitä nopeammin soudat, sitä nopeammin etenet mittarin mittaamassa matkassa. Kaikkien profiilien valmiiksi asetettu kesto on 20 minuuttia.
- Valitse haluamasi profiili Up / Down painikkeilla. Painamalla MODE-painiketta pääset harjoitusprofiilin ajan asetukseen: Up / Down painikkeilla voit asettaa ajan 5 minuutin portain välillä 10:00- 90:00 minuuttia.
- Aloita harjoitus painamalla START / STOP-painiketta. Aloita soutaminen. Voit muuttaa harjoituksen aikana sen profiiliosuuden vastustasoa, jota parhaillaan suoritat painamalla Up / Down painikkeita: + painike lisää vastusta, - painike vähentää sitä.
- Voit keskeyttää harjoituksen painamalla START / STOP-painiketta (mittarin näytössä teksti Over). Ohjelman tiedot säilyvät 5 minuuttia mittarin muistissa, joten voit jatkaa keskeyttämääsi harjoitustasi painamalla uudestaan START / STOP-painiketta.
- Voit lopettaa harjoituksen painamalla RESET-painiketta mittarin ollessa keskeytystilassa. Mikäli suoritat profiilin loppuun, mittari antaa äänimerkin ja näyttöarvo alkaa vilkkua tavoitearvon täytyttyä. Nollaa näyttö painamalla ensin START/STOP-painiketta ja sen jälkeen RESET-painiketta.

Recovery

PALAUTUSSYKKEEN MITTAUS

Mittaa palautussykkeesi harjoituksen päätteeksi.

- Palautussykkeen mittaukseen siirryt painamalla RECOVERY-näppäintä. Näyttöön tulee teksti Recovery.
- Mittaus alkaa automaattisesti ja kestää kaksi minuuttia.
- Mittausjakson päätteeksi näyttöön ilmestyy sykkeen palautumissuhde prosenttilukuna. Mitä pienempi lukema on, sitä paremmassa kunnossa olet. Huomaa, että tuloksesi on suhteessa mittauksen alkuhetken syketasoon, ja että tuloksesi

on henkilökohtainen, eikä suoraan verrattavissa muiden tuloksiin. Palautussykkeen mittauksen luotettavuuden parantamiseksi pyri aina vakioimaan mittaustapahtuma mahdollisimman tarkasti; aloita mittaus mahdollisimman tarkasti samalta syketasolta. Pysy mahdollisimman liikkumatta paikallasi koko mittauksen ajan.

- Palautussykemittauksesta siirryt takaisin yleisnäyttöön painamalla RESET-painiketta; mittari siirtyy yleisnäyttöön automaattisesti minuutin kuluttua mittauksen päättymisestä.

Puhdistus ja huolto

Laitte ei vaadi erityishuoltoa. Laitte ei vaadi uudelleenkalibrointia kokoonpanon, käytön ja ohjeiden mukaan suoritettua huollon jälkeen.



VAROITUS

- Irrota adapteri ennen puhdistusta ja huoltoa.
- Älä käytä liuottimia laitteen puhdistukseen.
- Puhdista laite pehmeällä, imukykyisellä kankaalla jokaisen käytön jälkeen.
- Tarkista säännöllisesti kaikkien ruuvien ja mutterien olevan tiukasti kiinni.
- Voitele nivelet tarvittaessa.
- Puhdista kiskojen sisäpinnat tarvittaessa, jotta istuin liikkuu mahdollisimman tasaisesti ja äänettömästi. Tarvittaessa voit parantaa istuimen liikettä lisäämällä kiskojen pintaan parafiinia.

Viat ja häiriöt

Huolimatta jatkuvasti laadunvarmistuksesta laitteessa voi tapahtua yksittäisen osan aiheuttamia vikoja ja häiriöitä. Useimmissa tapauksissa viallisen osan vaihtaminen on riittävää

- Jos laite ei toimi normaalisti, ota välittömästi yhteys jälleenmyyjään.
- Anna jälleenmyyjälle laitteen malli- ja sarjanumero. Kerro ongelman luonne, käyttöolosuhteet ja ostopäivä.

Kuljetus ja säilytys



VAROITUS

- Irrota adapteri ennen kuljetusta ja varastointia.
- Vähintään kahden henkilön on kannettava ja siirrettävä laitetta.
- Seisokaa laitteen edessä sen kummallakin puolella ja tarttukaa tiukasti kiinni käsitangoista. Nostakaa laitetta siten, että laitteen takapää on pyöriällä. Siirtäkää laite ja laskekaa se varovasti alas. Asettakaa laite suojajalustalle lattiapinnan vaurioiden estämiseksi.
- Siirrä laitetta varovasti epätasaisilla pinnoilla. Älä siirrä laitetta yläkertaan pyöriä käyttäen. Suorita siirto kahvatuista kantaen.
- Säilytä laitetta kuivassa, mahdollisimman tasalämpötilaisessa paikassa.

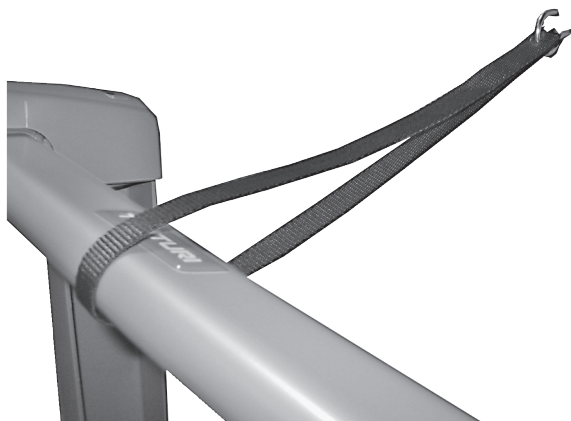
R50-soutulaitteen voi nostaa tilaa säästävään säilytysasentoon seuraavasti:

- Löysää eturungon alla olevaa lukitusnuppia, paina eturunkoa hieman alaspäin ja vedä lukitusnuppia ylöspäin.
- Avaa vasemmalla puolella oleva lukitusvalpa painamalla kielekettä sivulle. Nosta samalla eturunko ylös.



- Laske eturunko varovasti kiskojen väliin. Varmista, että eturunko on lukittunut.
- Tartu soutulaitteen takaosan poikkiputkeen ja nosta laite pystyyn etupään tukijalkojen varaan.

Säilytä soutulaitetta säilytysasennossa seinää vasten siten, ettei eturunko vahingossa avattaessa pääse kaatumaan kenenkään päälle. **TÄRKEÄÄ!** Laitteen mukana on toimitettu lenkki ja koukku, joiden avulla soutulaite pysyy tukevasti säilytysasennossa. Valitse sopiva säilytyspaikka soutulaitteellesi seinän vierestä ja kiinnitä koukku tukevasti seinään oikealle korkeudelle. Nosta soutulaite säilytysasentoon koukun eteen. Laita soutulaitteen mukana toimitettu lenkki laitteen takaosan poikkiputkeen ympäri ja kiinnitä lenkki koukkuun. Säilytysasennossa olevaa soutulaitetta ei saa käyttää kiipeilytelineenä!



Lisätietoa laitteen omistajalle

Pakkauksen hävittäminen

Lainsäädäntö ohjeistaa meitä vähentämään kaatopaikoille toimitetun jätteen määrää. Sen vuoksi pyydämme sinua toimittamaan kaikki pakkausjätteet sitä varten tarkoitettuun kierrätyspisteeseen.

Laitteen hävittäminen käyttöiän päättyessä

Me Tunturilla toivomme, että iloitset kuntolaitteestasi vuosia. Jokainen kuntolaite tulee kuitenkin aikanaan oman käyttöikänsä loppuun. Kotitalouksien sähkö- ja elektroniikkalaiteromua käsittelevien eurooppalaisten määräysten (WEEE) mukaan sinun kuuluu toimittaa kuntolaitteesi sitä varten tarkoitettuun keräyspaikkaan.

Tekniset tiedot

Parametri	Mittayksikkö	Arvo
Pituus	cm inch	197 77,6
Leveys	cm inch	50 19.7
Korkeus	cm inch	66 26
Paino	kg lbs	46.4 102.3
Suurin sallittu käyttäjän paino	kg lbs	135 300
Sovitin Jännite Virta	V Ma.	6V-DC 500 Ma.

Takuu

Takuuehdot

Kuluttajalla on sovellettavan kulutustavaroiden kauppaa koskevan kansallisen lainsäädännön mukaiset lailliset oikeudet, eikä takuulla rajoiteta näitä oikeuksia. Omistajan Takuu on voimassa vain, mikäli laitetta käytetään Tunturi New Fitness BV:n kyseiselle laitteelle sallimassa käyttöympäristössä. Kunkin laitteen sallittu käyttöympäristö mainitaan laitteen käyttöohjeessa.

Takuuehdot

Takuuehdot tulevat voimaan tuotteen ostopäivästä lukien. Takuuehdot voivat olla erilaiset eri maissa, joten pyydä takuuehdot paikalliselta jälleenmyyjältä.

Takuun kattavuus

Missään olosuhteissa Tunturi New Fitness BV tai Tunturi-jälleenmyyjä ei vastaa ostajalle mahdollisesti aiheutuvista välillisistä vahingoista, kuten käyttöhyödyn tai tulojen menetyksestä taikka muista taloudellisista seurausvahingoista.

Takuun rajoitukset

Takuu kattaa työstä ja materiaalista johtuvat virheet kuntolaitteessa, joka on alkuperäisessä kokoonpanossaan.

Takuu koskee vain virheitä, jotka ilmenevät normaalissa ja laitteen mukana tulleen ohjekirjan mukaisessa käytössä edellyttäen, että Tunturin asennus-, huolto- ja käyttöohjeita on noudatettu. Tunturi New Fitness BV:n ja Tunturin jälleenmyyjät eivät vastaa virheistä, jotka aiheutuvat heidän vaikutusmahdollisuksiensa ulkopuolella olevista seikoista. Takuu on voimassa vain niissä maissa, joissa Tunturi New Fitness BV:llä on valtuutettu maahantuojia. Takuu ei koske sellaisia kuntolaitteita tai osia, joita on muutettu ilman Tunturi New Fitness BV:n suostumusta. Takuu ei koske virheitä, jotka johtuvat luonnollisesta kulumisesta, virheellisestä käytöstä, käytöstä olosuhteissa, joihin kuntolaitetta ei ole tarkoitettu, korroosiosta tai lastaus- tai kuljetusvahingoista.

Takuu ei koske käyttöäniä, jotka eivät olennaisesti haittaa laitteen käyttöä eivätkä johdu laitteessa olevasta virheestä.

Takuu ei myöskään sisällä kunnossapitotoimenpiteitä, kuten puhdistusta, voitelua tai sen osien normaalia tarkistamista, eikä sellaisia asennustoimenpiteitä, jotka asiakas voi suorittaa itse ja jotka eivät edellytä erityistä kuntolaitteen purkamista / kokeamista. Tällaisia toimenpiteitä ovat esim. mittareiden, polkimien tai muiden vastaavien yksinkertaisten osien vaihdot. Muun kuin valtuutetun Tunturi-edustajan suorittamia takuukorjauksia ei korvata. Laitteen käyttöohjeen noudattamatta jättäminen aiheuttaa takuun raukeamisen.

Valmistajan vakuutus

Tunturi New Fitness BV vakuuttaa tuotteen täyttävän seuraavien standardien ja direktiivien vaatimukset: EN 957 (HB), 89/336/ETY. Tässä tuotteessa on sen vuoksi CE-merkki..

01-2017

Tunturi New Fitness BV
Purmerweg 1
1311 XE Almere
Alankomaat

Vastuuvapauslauseke

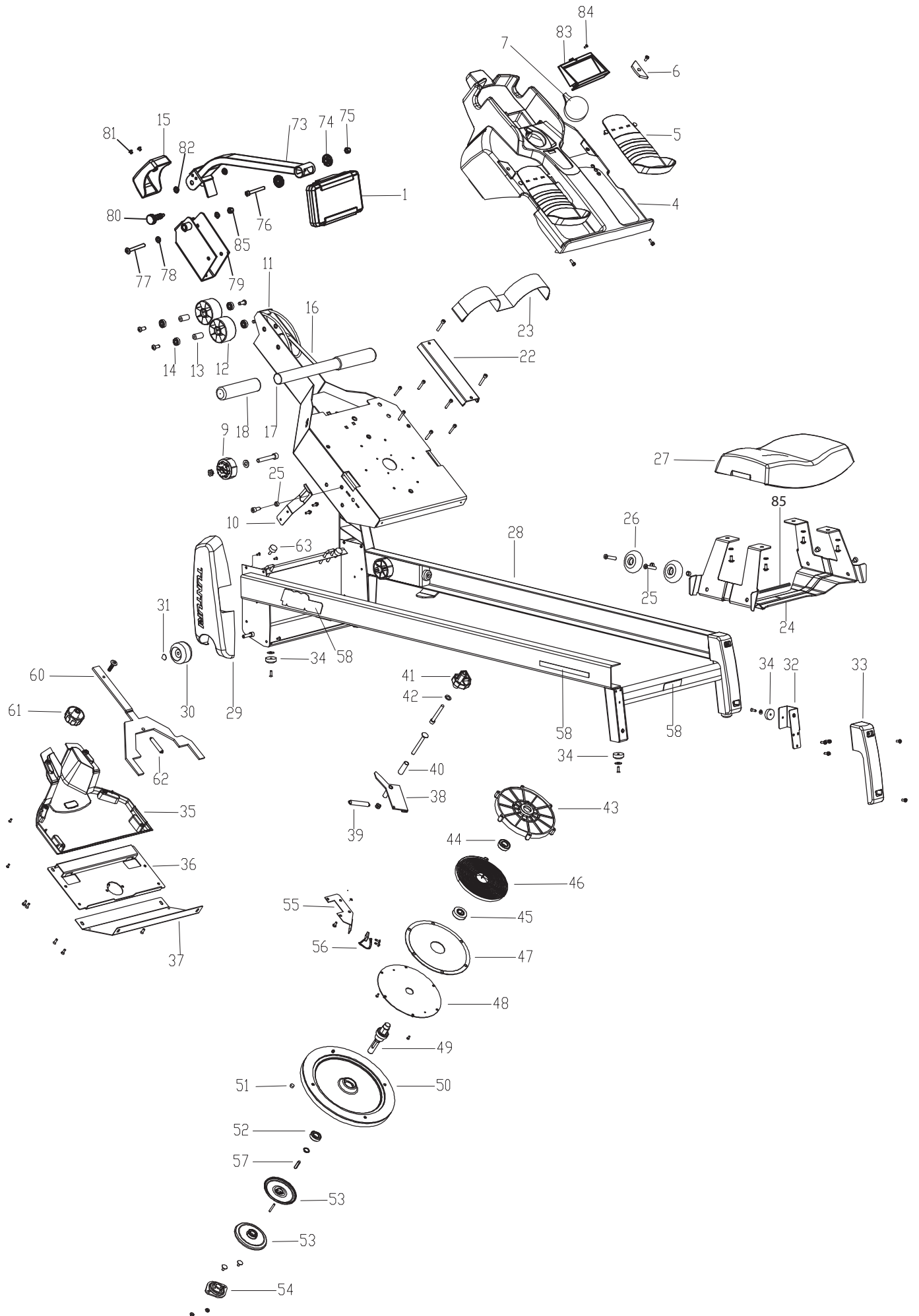
© 2017 Tunturi New Fitness BV
Kaikki oikeudet pidätetään.

Tuote ja käyttöopas saattavat muuttua. Teknisiä tietoja saatetaan muuttaa ilman eri ilmoitusta.

No	Description	Qty
1	User interface	1
	Screw	1
4	Foot rest cover	1
	Screw	2
5	Foot rest	2
6	Plug	2
	Screw	2
7	Round cover	1
9	Sleeve	2
	Hex socket cap screw	2
	Washer	2
	Nut	2
10	Locking lever	1
	Screw	2
11	Frame	1
12	Pulley	2
13	Sleeve	2
14	Bearing	4
	Hex socket cap screw	4
15	Pulley cover	1
	Screw	1
	Hex socket cap screw	1
16	Rope	1
17	Draw bar	1
18	Handle grip	2
19	Washer	1
21	Nylon nut	1
22	Foot strap bracket	1
	Hex socket cap screw	2
23	Foot strap	1
24	Seat roller frame	1
25	Sleeve	4
26	Wheel	4
	Hex. socket cap screw	4
27	Seat	1
	Washer	4
	Hex socket cap screw	4
28	Main frame	1
29	Frame cover, RH	1
	Frame cover, LH	1
	Screw	8
30	Wheel	2
31	Retainer	2
32_L	Rear bracket, LH	1
32_R	Rear bracket, RH	1

No	Description	Qty
	Screw	6
33	Rear support cover	2
	Screw	4
34	Foot plug	8
	Countersunk head screw	8
35	Case cover	1
	Screw	4
	Screw	4
36	Frame under plate	1
	Countersunk head screw	4
37	Under plate	1
	Screw	2
38	Brake slacker	1
	Lock screw	1
	Nylock nut	1
39	Spring	1
40	Spring	1
41	Adjustment wheel	1
43	Spring case (incl. 44 - 48)	1
44	Bearing	2
45	Spring hub	1
46	Spring	1
47	Damper	1
48	Spring case cover	1
	Screw	2
	Hex socket cap screw	6
49	Axle	1
50	Flywheel (incl. 51, 52)	1
51	Magnet	1
52	Bearing	1
	Retainer	1
53	Belt wheel	2
	Cotter-pin	1
54	Bearing house	1
	Lock screw	2
	Nylock nut	2
55	Sensor bracket	1
56	Speed sensor	1
	Screw	2
57	Spline	1
58	Label set	1
59	Servo motor	1
	Countersunk head screw	2
	Nylon nut	1
60	Locking lever	1

No	Description	Qty
61	Knob	1
62	Spring	1
63	Bumper	2
64	Locking lever	4
	Hex socket cap screw	2
65	DC-Wire	1
66	Remote control card incl.40	1
67	Remote control cover (incl. 68)	1
	Screw	1
	Screw	5
68--1	Membrane +	1
68--2	Membrane -	1
69	Bumper	1
70	Transformer EUR	1
73	Console support arm	1
74	Tube cap	2
75	Nylon Nut M8	1
76	Allen round head screwM8*80	1
77	Allen screw M8*65	1
78	Flat washer8.5*16*T1.5	2
79	Frame connection plate	1
80	Pull pin	1
81	Cross Screw M5*12	2
82	Rubber bushing	2
85	Hat Nut M8	1
83	Deco cover ,main body	1
84	Screw M6*16	1
85	Seat frame bumper	1
	Loop and hook set R35-R60	





Tunturi New Fitness BV

Purmerweg 1 NL - 1311 XE Almere
P.O. Box 60001 NL - 1320 AA Almere
The Netherlands

www.tunturi-fitness.com

20170124